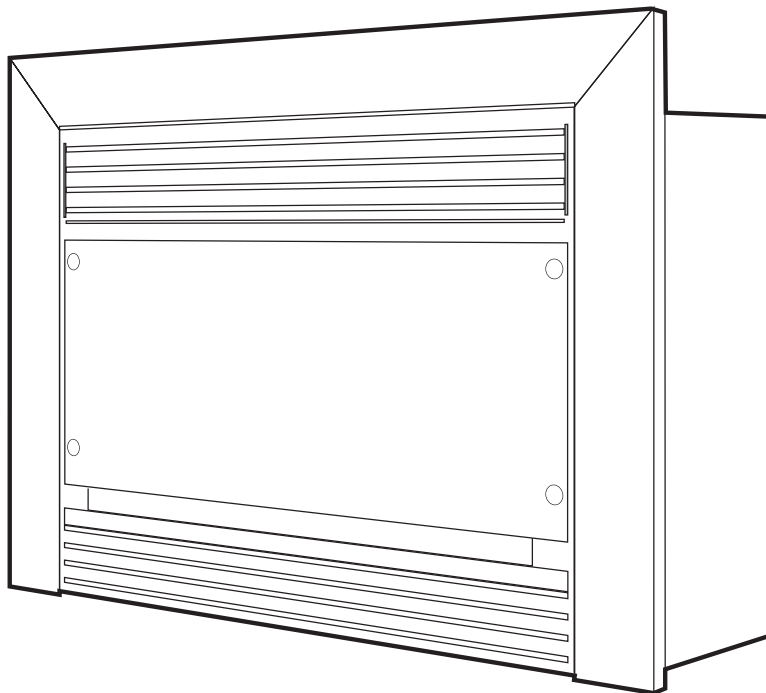


The logo features a stylized flame icon composed of two overlapping, curved shapes. The word "real flame" is written in a bold, lowercase, sans-serif font, with the flame icon positioned behind the letters "a" and "l".

real flame

Leaders in
Gas Fireplace
Technology



PYROTECH[®] 2012

INSTALLATION & OPERATING MANUAL

The Pyrotech Space Heater range are approved to be installed into a masonry fireplace, as a zero clearance firebox enclosed by a timber frame and plastered or as a free standing unit. The Pyrotech Range is approved to operate on Natural Gas and Propane (LPG) gases only.

Approval Number: GMK10092

VERSION 12

WARRANTY INFORMATION

The benefits provided to you under the following warranty are in addition to any other rights and remedies available to you under the law.

1. Warranty

If:

- (a) during the first 10 years from the date of purchase (Firebox Warranty Period), there is a defect in the firebox of the Real Flame Gas Burner; or
- (b) during the first 12 months from the date of purchase (Parts Warranty Period), there is a defect in the gas valves or other parts of the Real Flame Gas Burner,
due to improper workmanship or material, Real Flame will replace or repair the Real Flame Gas Burner without charge. Any replacement product is warranted only for the time remaining on the original Firebox Warranty Period or the Parts Warranty Period as relevant.

2. Registration

You must register to receive the benefit of this warranty by completing the warranty registration on our website (www.realflame.com.au) or completing and mailing the attached registration card within 30 days of purchase of your Real Flame Gas Burner (or, if the Real Flame Gas Burner is fitted to a new home, within 30 days of the date of settlement of purchase of such new home).

3. Exclusions

Real Flame is not obliged to replace or repair the Real Flame Gas Burner under clause 1 if:

- (a) it has been improperly stored, installed, connected, used, operated or repaired, or damaged, abused, tampered with, altered (without our written approval), or not maintained in strict accordance with our installation and operating instructions; or
- (b) it has been installed in an outdoor setting.

4. Limit of Liability

The warranty provided under this warranty is limited to replacement or repair of the Real Flame Gas Burner only, at our option. To the extent permitted by law, Real Flame excludes liability for consequential loss or any other loss or damage caused to property or persons arising from any cause whatsoever, and damage arising from normal wear and tear.

5. Claiming under the Warranty

In order to claim under this warranty you must, within the Firebox Warranty Period or the Parts Warranty Period (as relevant), contact Real Flame, providing the original proof of purchase and the details below:

Supplier Name _____

Date Of Purchase / settlement of property if new home _____

Model / Serial Number _____

This warranty does not cover the cost of claiming under the warranty or transporting the Real Flame Gas Burner to and from the supplier.

Our goods come with guarantees that cannot be excluded under the Australian Consumer Law. You are entitled to a replacement or refund for a major failure and for compensation for any other reasonably foreseeable loss or damage. You are also entitled to have the goods repaired or replaced if the goods fail to be of acceptable quality and the failure does not amount to a major failure.

If you would like to speak to someone about your Real Flame Gas Burner or claiming under this warranty, please contact the Real Flame Service Warranty Desk on 03 8706 2000.

Real Flame Pty Ltd ACN 006 311 155

Head Office: 1340 Ferntree Gully Road, Scoresby 3179

Telephone: 03 8706 2000 Facsimile: 03 8706 2001

WARNING

The Pyrotech range of fires have a primary safety glass fitted in front of the glass door. This safety glass is fitted to this appliance to reduce the risk of injury from burns and at no time should this glass be permanently removed.

For protection of young children or the infirm, a secondary guard is required.

INSTALLATION NOTICE

- The installation of this appliance is only to be carried out by an authorised person in accordance with the Manufacturer's Instructions, local gas fitting regulations, AS5601-2004 installation code for gas burning appliances and any other relevant statutory regulations.
- In all cases the installation of this appliance shall meet the requirements as set out in AS5601-2004.

- **NOTE:** A slight smell may be apparent for the first few hours of use. This is due to the heat resistant paint curing. It is recommended to open windows in the room for the first lighting of the fire. In some instances a slight discolouration may occur inside the firebox. This is a normal condition and is not covered by warranty.
- This heater is designed to have a luminous flame and may exhibit a slight carbon deposit.

IMPORTANT SAFETY NOTICE

- DO NOT PLACE ARTICLES ON OR AGAINST THIS APPLIANCE.
- DO NOT USE OR STORE FLAMMABLE MATERIAL NEAR THE APPLIANCE.
- DO NOT SPRAY AEROSOLS IN THE VICINITY OF THIS APPLIANCE WHILST IT IS IN OPERATION.
- DO NOT OPERATE WITH GLASS PANEL REMOVED FROM THIS APPLIANCE.

SERVICING

It is recommended you service your gas fire every 2 years as a minimum.

VENTILATION REQUIREMENTS

- ADDITIONAL VENTILATION IS REQUIRED ONLY IF THE UNIT IS INSTALLED IN A ROOM OF LESS THAN 10 CUBIC METRES IN SIZE - REFER AS/NZS 5601 CLAUSE 5,4,3,1.

CONTENTS

| | |
|--|----|
| Contents | 4 |
| Data Plate | 5 |
| Inbuilt Model Dimensions/Installation Procedure | 6 |
| Zero Clearance Model Timber Frame Installation Procedure | 9 |
| Zero Clearance Model | 10 |
| Zero Clearance Model Assembly..... | 11 |
| Zero Clearance Model Dimensions/Installation Procedure..... | 12 |
| Freestanding Model Dimensions | 13 |
| Freestanding Model Installation Procedure/Clearances | 14 |
| Flue Requirements | 15 |
| Dimensions | 16 |
| Lighting pilot and main burner (Standard models only) | 18 |
| Tests to be carried out by installer | 19 |
| Servicing and Maintenance | 20 |
| Parts Location/Parts Kit (Standard models only)..... | 25 |
| Gas Control Assembly/Valve Description | 26 |
| Parts List (Deluxe models only) | 27 |
| Gas Control Assembly | 28 |
| Troubleshooting for Pyrotech Standard | 29 |
| Troubleshooting for Pyrotech Deluxe | 30 |
| Flue Termination Regulations | 31 |
| Optional Marble Surround Installation Procedure | 32 |
| Optional Mantelpiece Installation Procedure/Dimensions | 33 |
| Electrical Diagram (Standard models only)..... | 34 |
| Electrical Diagram (Deluxe models only) | 35 |
| Real Flame Contact Information | 36 |

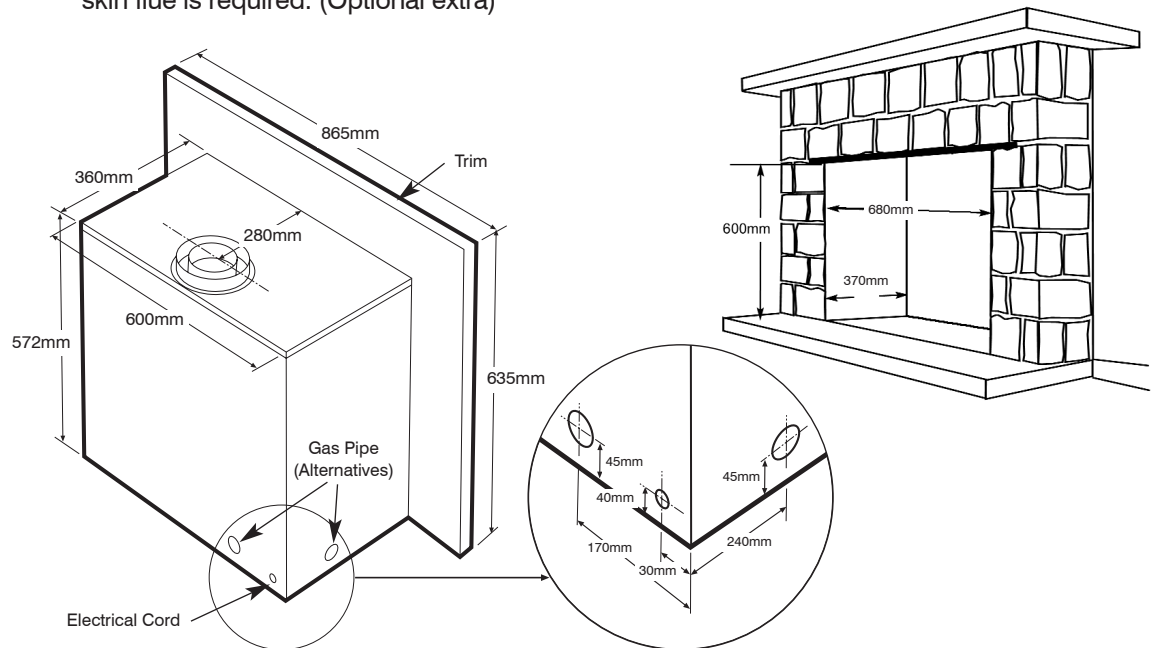
DATA PLATE

| | | | |
|---|---------------|----------------------|---------------------|
| MODEL: PYROTECH STANDARD 2012 | | WEIGHT: 56 kg | |
| TYPE | INJ/SIZE | MJ/H | P.T.P. |
| <input type="checkbox"/> NG PRIMARY | 2 x 1.65mm | 28 | 1.00 kpa HIGH |
| <input type="checkbox"/> NG SECONDARY | 2 x 1.65mm | 21.5 | 0.63 kpa LOW |
| <input type="checkbox"/> LPG PRIMARY | 2 x 1.05mm | 28 | 2.55 kpa HIGH |
| <input type="checkbox"/> LPG SECONDARY | 2 x 1.05mm | 23.5 | 1.74 kpa LOW |
| APPROVAL NUMBER GMK10092 | SERIAL NUMBER | | DATE OF MANUFACTURE |

| | | | |
|---|---------------|----------------------|---------------------|
| MODEL: PYROTECH DELUXE 2012 | | WEIGHT: 56 kg | |
| TYPE | INJ/SIZE | MJ/H | P.T.P. |
| <input type="checkbox"/> NG PRIMARY | 2 x 1.65mm | 28 | 1.00 kpa HIGH |
| <input type="checkbox"/> NG SECONDARY | 2 x 1.65mm | 18 | 0.45 kpa LOW |
| <input type="checkbox"/> LPG PRIMARY | 2 x 1.05mm | 28 | 2.50 kpa HIGH |
| <input type="checkbox"/> LPG SECONDARY | 2 x 1.05mm | 18 | 0.95 kpa LOW |
| APPROVAL NUMBER GMK10092 | SERIAL NUMBER | | DATE OF MANUFACTURE |

PYROTECH INBUILT MODEL

- Unit installed into an existing “working” fireplace requires an AGA approved 150mm gas cowl. If the chimney does not draw properly, a 900mm length of flexi flue (supplied with unit) should be fixed to the flue spigot on top of the heater. The flexi flue should be fixed in the vertical position in a manner that does not allow the flue to fall or come away from the spigot.
- If the fireplace is not a working fireplace, then an approved 100mm flue system with 100mm AGA approved gas cowl should be used. (Optional extra)
- If the flue is exposed or enclosed with combustible materials, an approved 100/150mm twin skin flue is required. (Optional extra)



Pyrotech Inbuilt Installation Procedure

- TICK BOXES
- Check chimney for correct venting of fumes
 - Position unit centrally.
 - Connect to gas supply using 15mm copper union.
 - Connect to power supply.
 - Remove glass and assemble log or pebble set as shown (Figures 1 - 12).

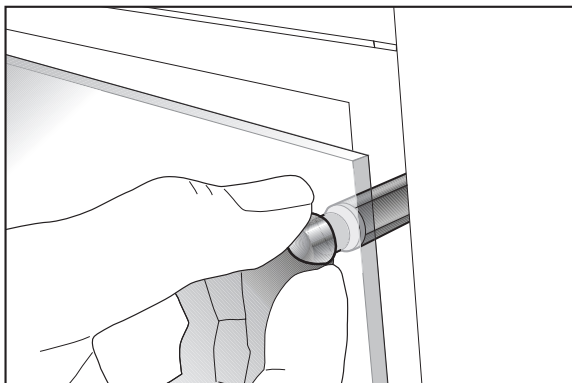


Figure (1) Remove decorative fasteners from four corners of shield glass panel.

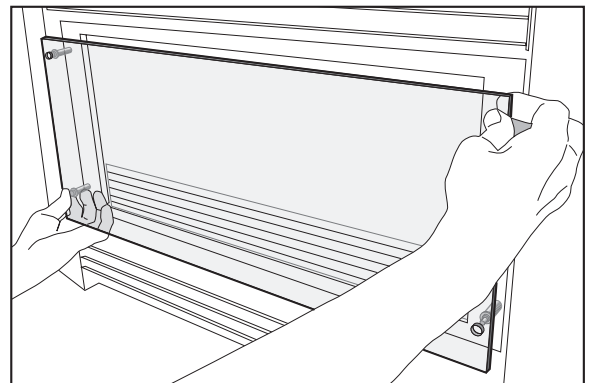


Figure (2) Remove shield glass panel.

PYROTECH INBUILT MODEL

Pyrotech Inbuilt Installation Procedure (continued)

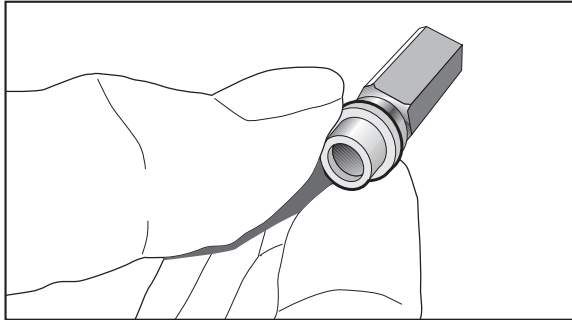


Figure (3) Remove nylon grommets and put aside carefully.

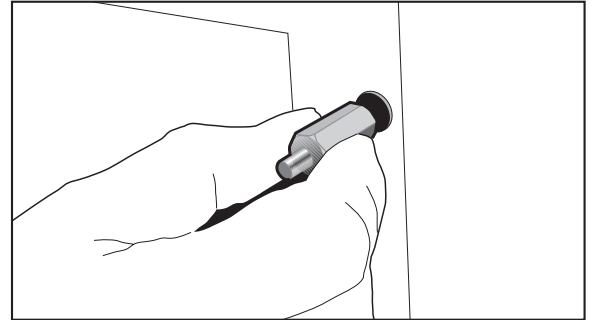
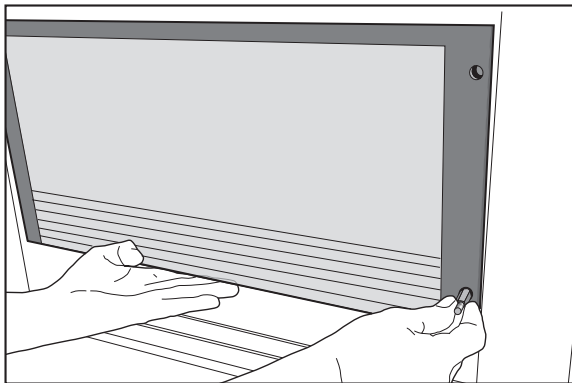


Figure (4) Remove three spacer bolts, and loosen bolt in bottom right corner.



NOTE: Keep coals or pebbles clear of burner rail.

Figure (5) Support front glass as shown, and remove fourth spacer bolt. Remove front glass.

Re-installation of glass panels is reverse of above. **N.B: ensure that the roped edge of the glass is fitted to the top.**

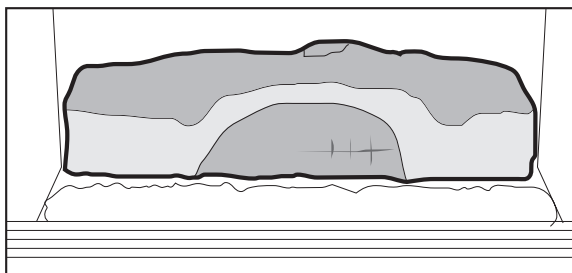


Figure (6) Remove box containing logset, and unpack. Place the large log at the rear of the burner just in front of the 2 square tabs on the log support panel.

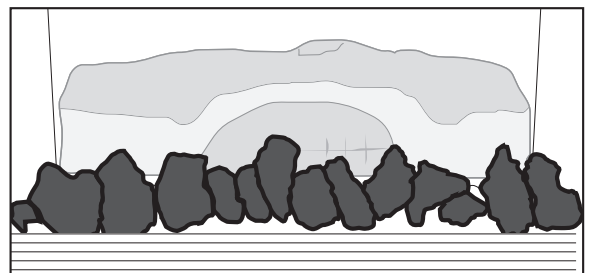


Figure (7) Place the 14 large coals and 8 small coals on top of the white ceramic blanket. Ensure front row of coals are placed 10 - 12mm away from the front grille.

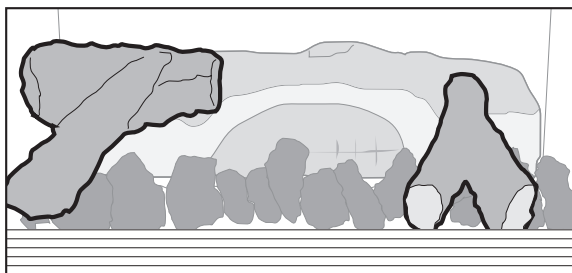


Figure (8) Place the 2 'Y' shaped logs as shown, the larger on the left. Position the 'Y' end of the logs towards the front of the heater.

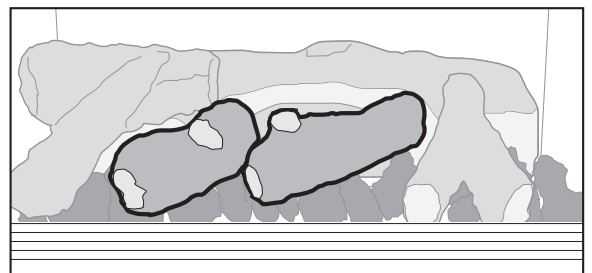


Figure (9) Place the 2 straight logs as shown

PYROTECH INBUILT MODEL

Pyrotech Inbuilt Installation Procedure (continued)

The Pyrotech Space Heater (Natural Gas Only) is approved for use with Pebbles.

To install the Pebbles follow the installation instructions as per Figures 1 to 5 above, and then proceed as follows (Figures 10 to 12).

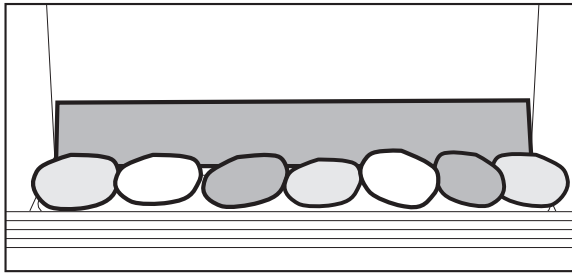


Figure (10) Install the metal angle at the rear of the fireplace and place one row of pebbles behind the burner rail.

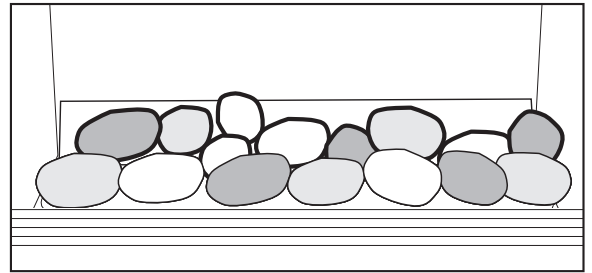


Figure (11) Place pebbles between the first row and the angled tray.

Note: Keep pebbles clear of burner rail.

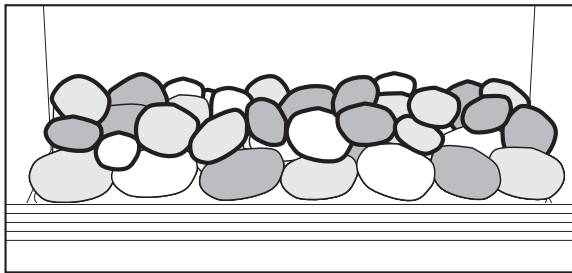


Figure (12) Place remaining pebbles up the angle of the rear tray so as the tray is hidden.

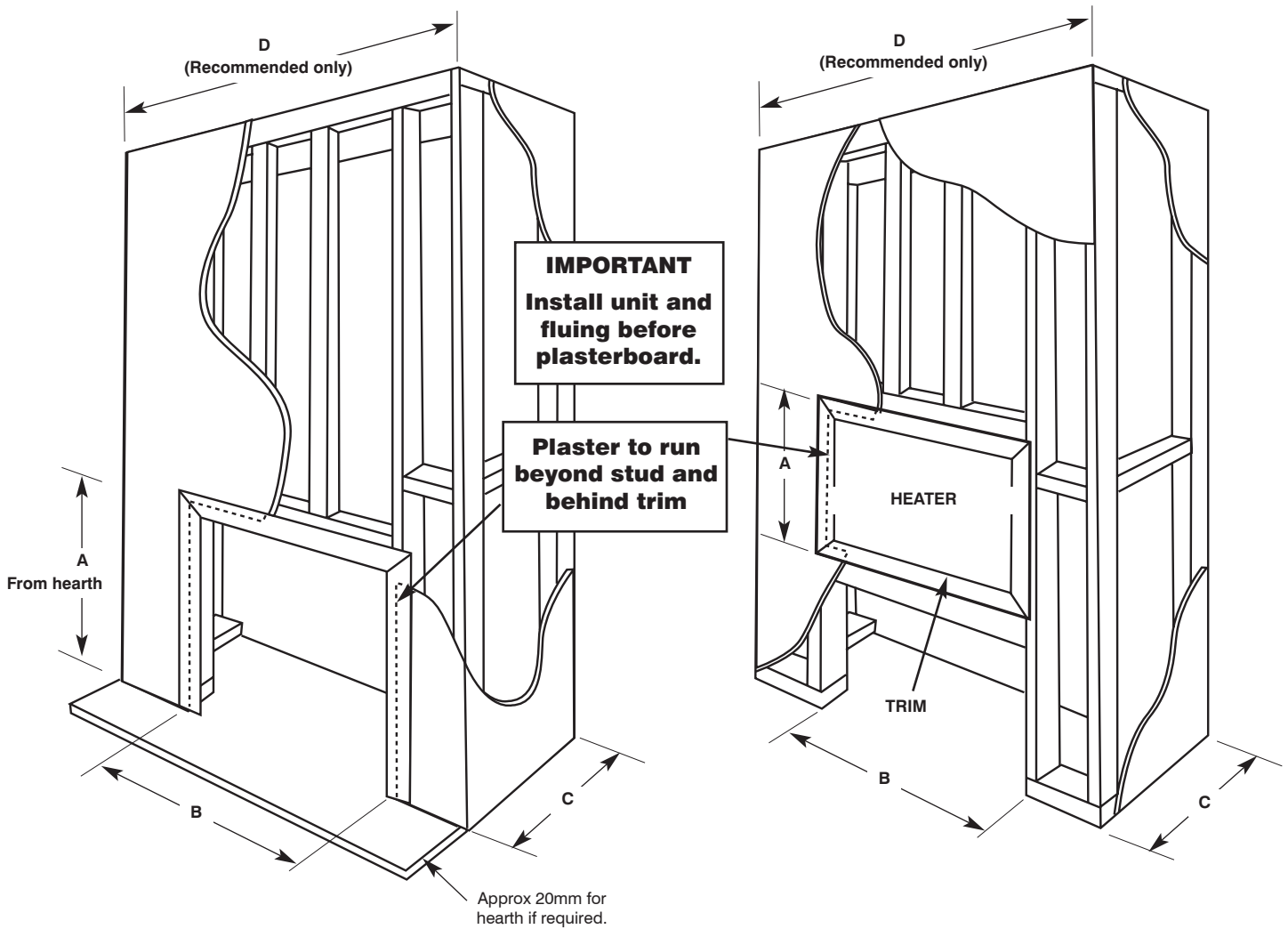
Note: If a coals only configuration is being used, use the same set up as pebbles.

TICK BOXES

- Replace the glass front to its original position.
- Fit the trim to the front of the heater.
- Light the unit following the procedure on page 17.
- Install the 150mm AGA approved gas cowl where using the chimney to vent the fumes.
- Test the unit for safe operation and show customer correct operating procedures.
- Test for spillage.
- Perform pressure test.

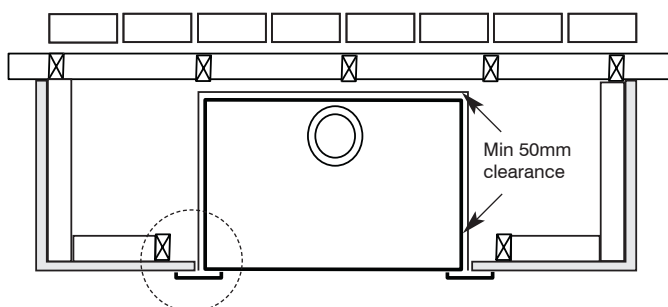
PYROTECH ZERO CLEARANCE MODEL

Pyrotech Zero Clearance Timber Frame Installation



NOTE: Note: If fire is to be installed off the floor with 4 sided trim, use same A, B, C and D dimensions as shown with frame work included below fire to required height.

| A | B | C | D |
|-----|-----|-----|------|
| 750 | 775 | 450 | 1800 |



NOTE

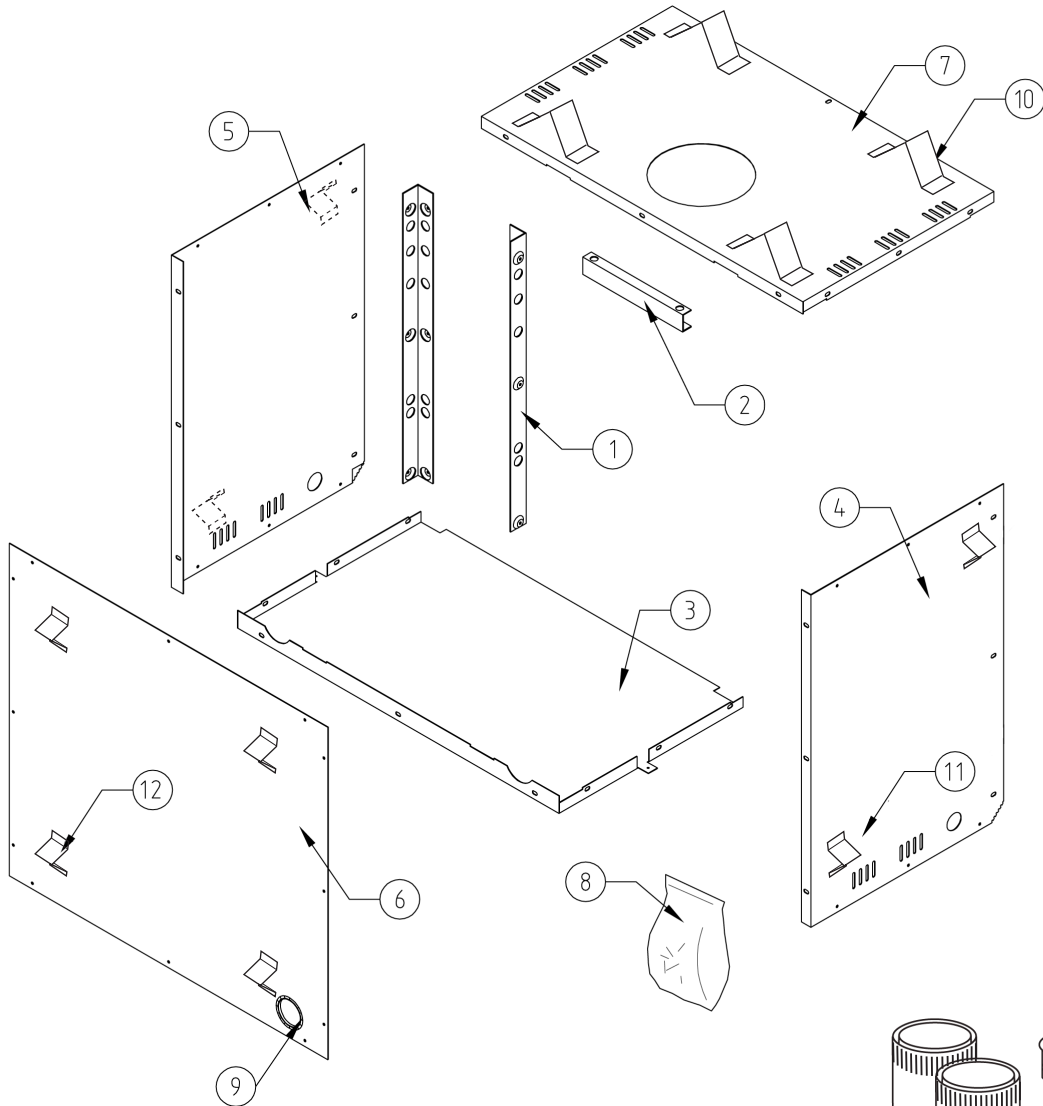
Plasterboard to run beyond stud as shown, and to go behind fixing flange on unit.

CLEARANCES FROM COMBUSTIBLES

| | |
|------------|--------|
| Floor | 0 mm |
| Sides | 50 mm |
| Top | 100 mm |
| Flue Outer | 50 mm |

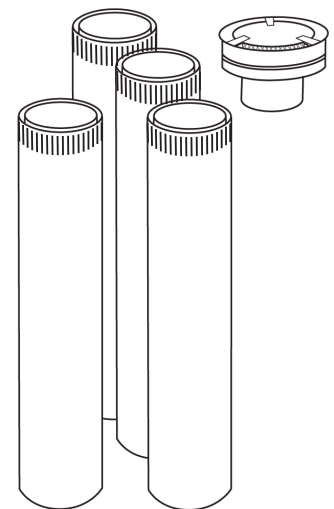
PYROTECH ZERO CLEARANCE MODEL

1. Position the Pyrotech firebox in the selected installation position in the room.
2. You will require the Zero Clearance Kit to suit, which is to be fitted to the main fire box as shown on page 11.



ZERO CLEARANCE KIT COMPONENTS

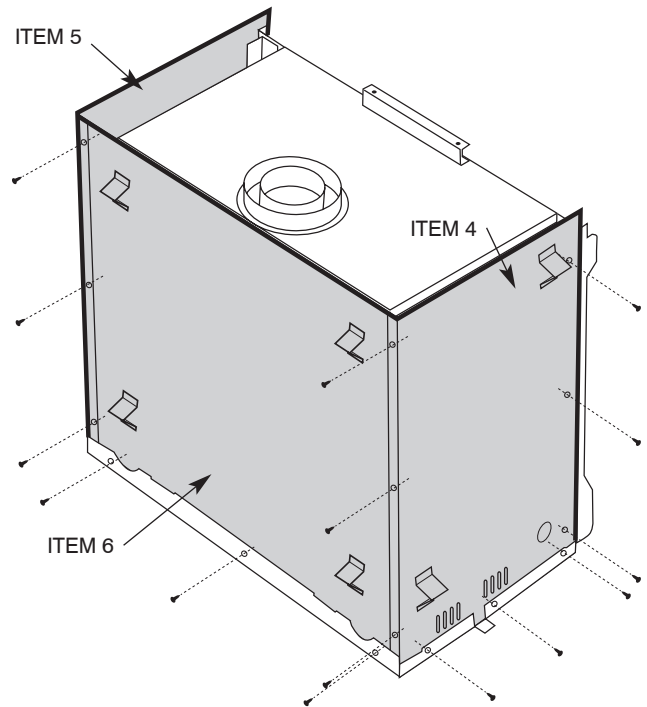
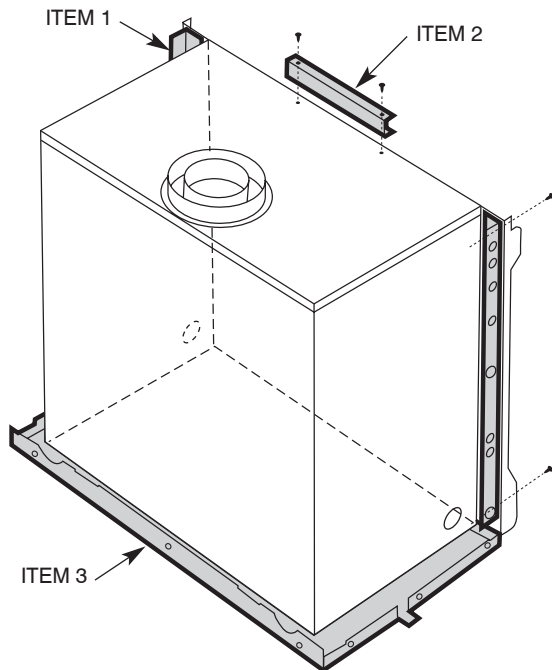
| No. | Description | Qty |
|-----|--|-----|
| 1 | Panel – Side Strip | 2 |
| 2 | Panel – Top Strip | 1 |
| 3 | Panel – Base | 1 |
| 4 | Panel – Side L/H | 1 |
| 5 | Panel – Side R/H | 1 |
| 6 | Panel – Rear (with cord protector around large hole) | 1 |
| 7 | Panel – Top | 1 |
| 8 | Plastic Bag (Containing screws 35 off) | 1 |
| 9 | Cord Protector in place (154mm long) | 1 |
| 10 | 100mm Stand Off | 4 |
| 11. | 50mm Stand Off (2 x RH + 2 x LH) | 4 |
| 12. | 25mm Stand Off | 4 |



FLUE KIT

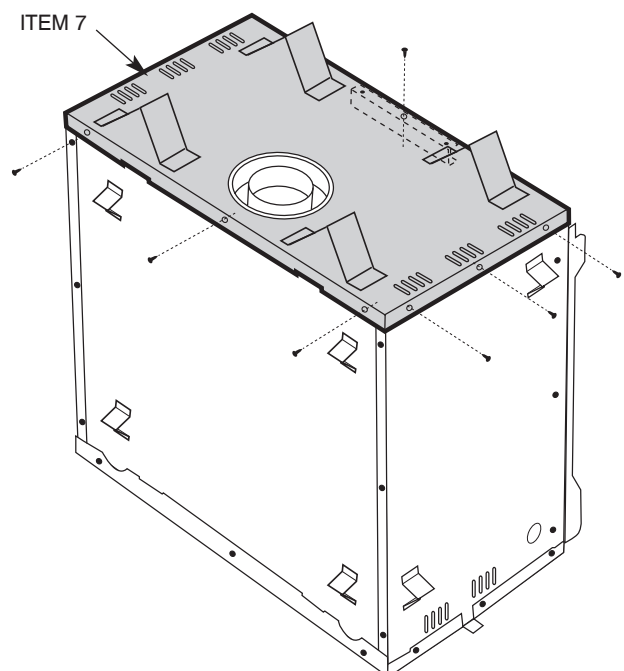
PYROTECH ZERO CLEARANCE MODEL

Fit Zero Clearance Kit to unit as shown below:



1. Secure side strips (Item 1) to side brackets on fire box using screws (2 off per side strip). Remove 2 top screws in fire box and place top strip (Item 2) into position and secure using 2 screws.
Place base panel (Item 3) under fire box.
2. Place LH side panel (Item 4) in behind lip of base panel. Secure side panel to side strip and base panel in 6 places.
Repeat for RH side panel (Item 5). Place rear panel (Item 6) in behind folds on side panels and base panel. Secure rear panel using screws 9 off.

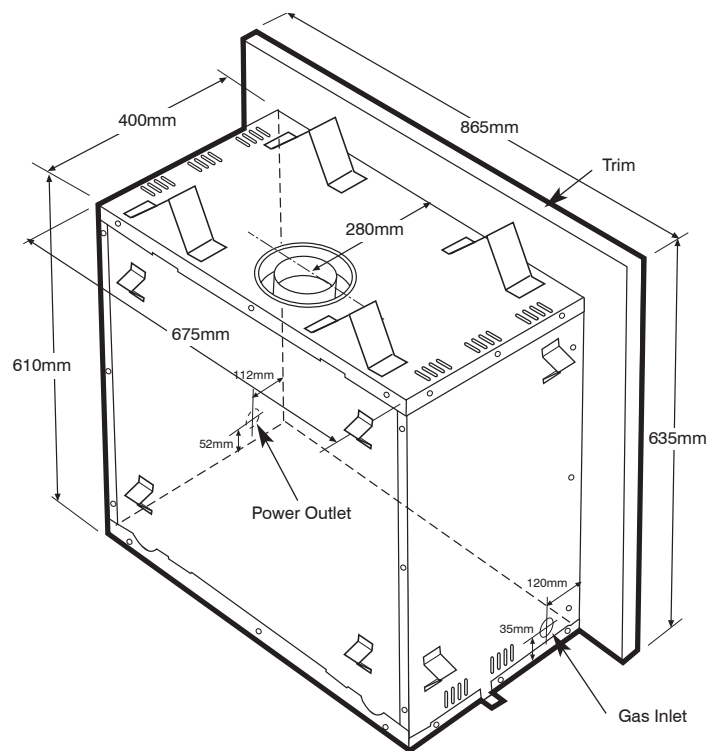
3. Place top panel (Item 7) onto assembly. Ensure all other panels sit behind folds on top panel. Secure top panel 9 places around edge and 1 screw on the top in the centre passing through hole in top strip as shown.



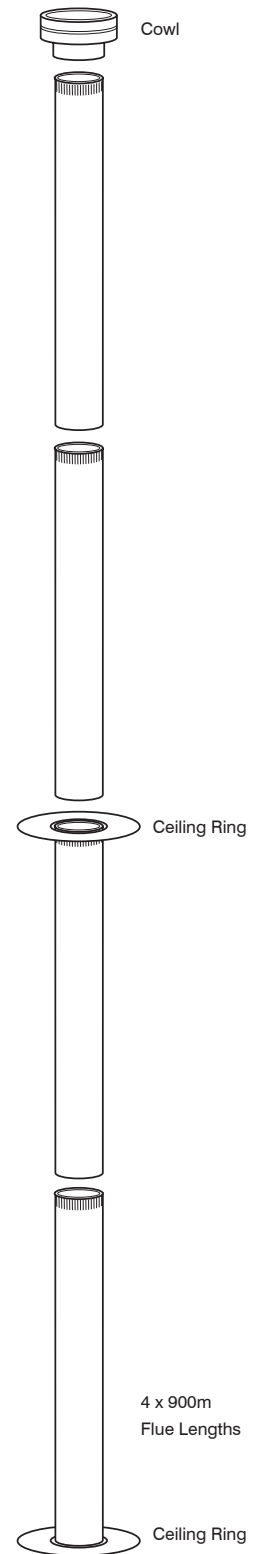
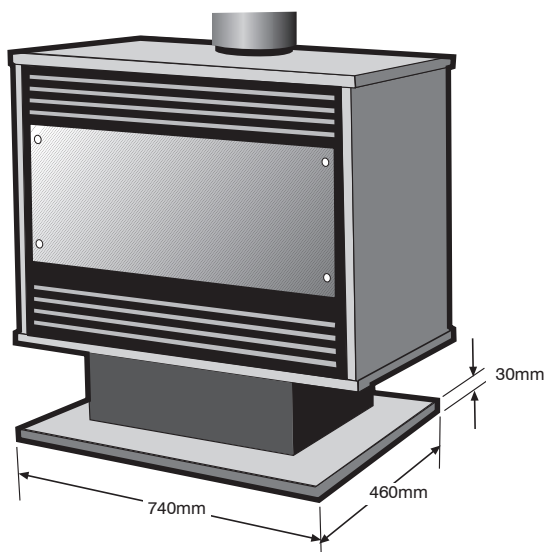
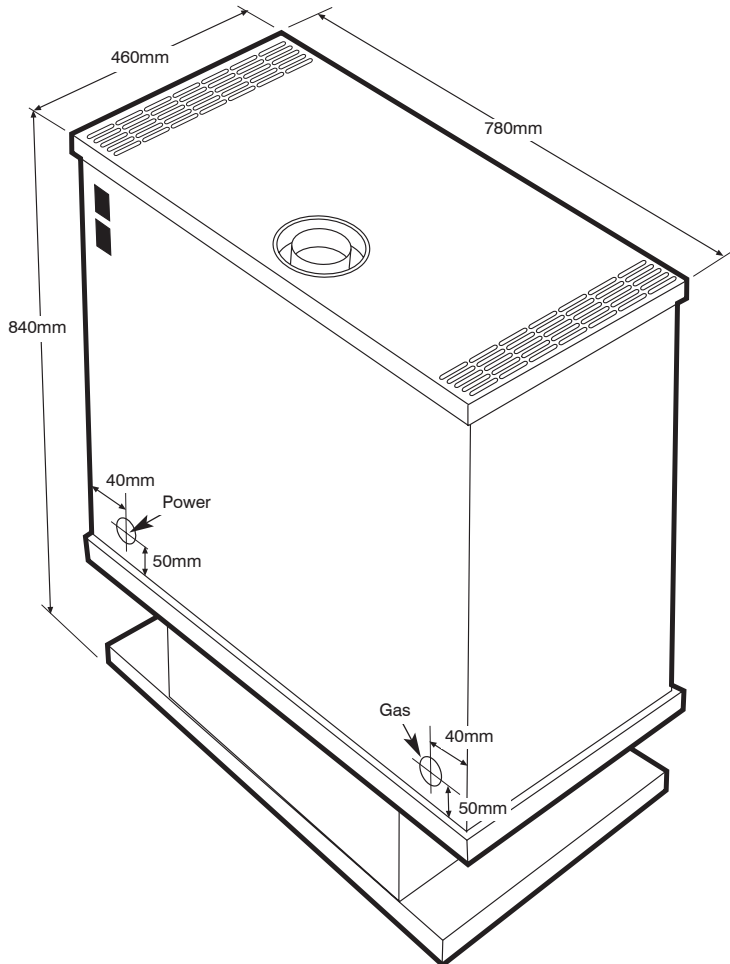
PYROTECH ZERO CLEARANCE MODEL

Pyrotech Zero Clearance Installation Procedure

- TICK BOXES
- Connect to gas supply.
 - Connect to power supply
 - Install flue to 500mm minimum above roof line. (Min total flue run 3.6 m)
 - Plaster to unit with trim removed.
 - Install trim.
 - Assemble unit as per page 10-11.
 - Test the unit for safe operation and show customer correct operating procedures.



PYROTECH FREESTANDING MODEL

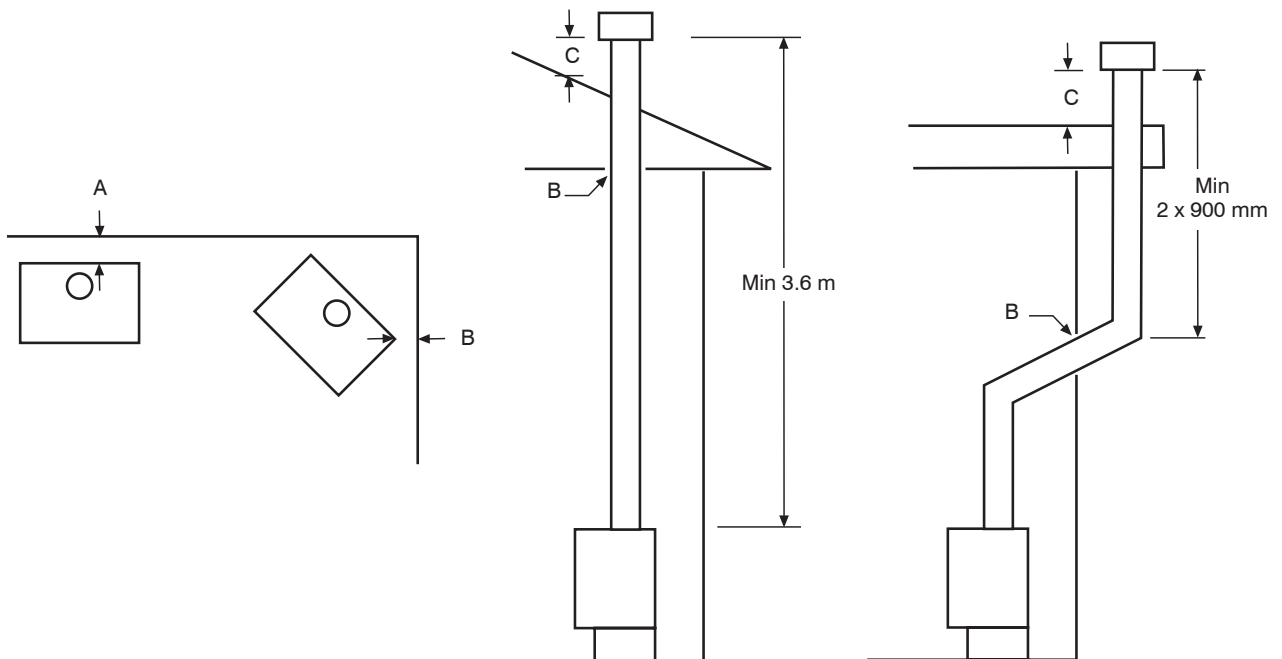


STANDARD FLUE KIT

PYROTECH FREESTANDING MODEL

Pyrotech Freestanding Installation Procedure

- TICK BOXES
- Position unit maintaining correct clearances from combustibles.
 - Connect to adequate gas supply.
 - Connect to adequate power supply.
 - Install flue kit maintaining minimum 25mm clearances from outer flue to combustibles.
 - Assemble as per pages 6 - 8.
 - Ensure clearances noted below are maintained.



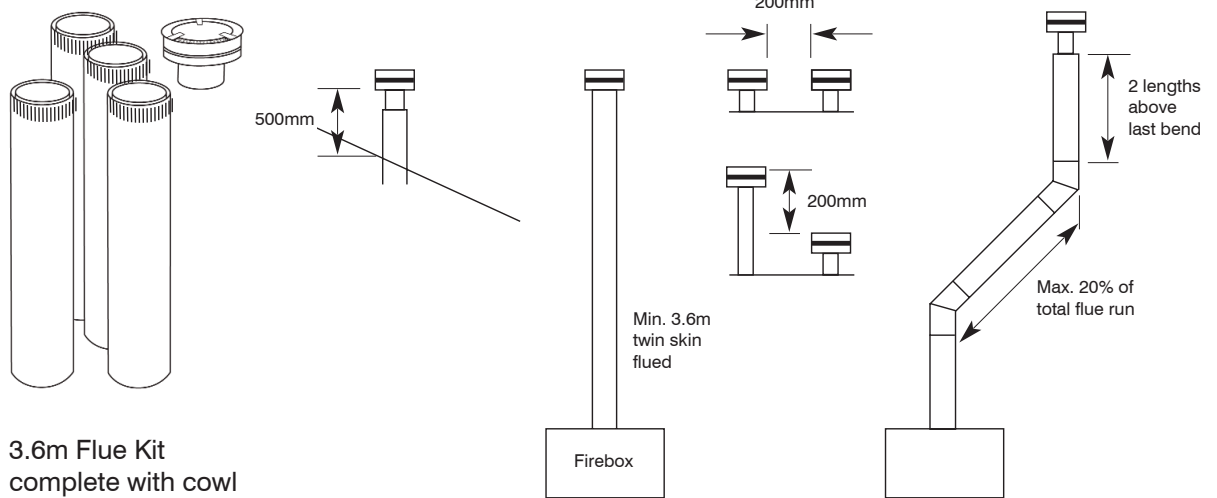
MINIMUM CLEARANCES FROM COMBUSTIBLES

| | |
|----------|--------|
| A | 50 mm |
| B | 50 mm |
| C | 500 mm |

FLUE REQUIREMENTS

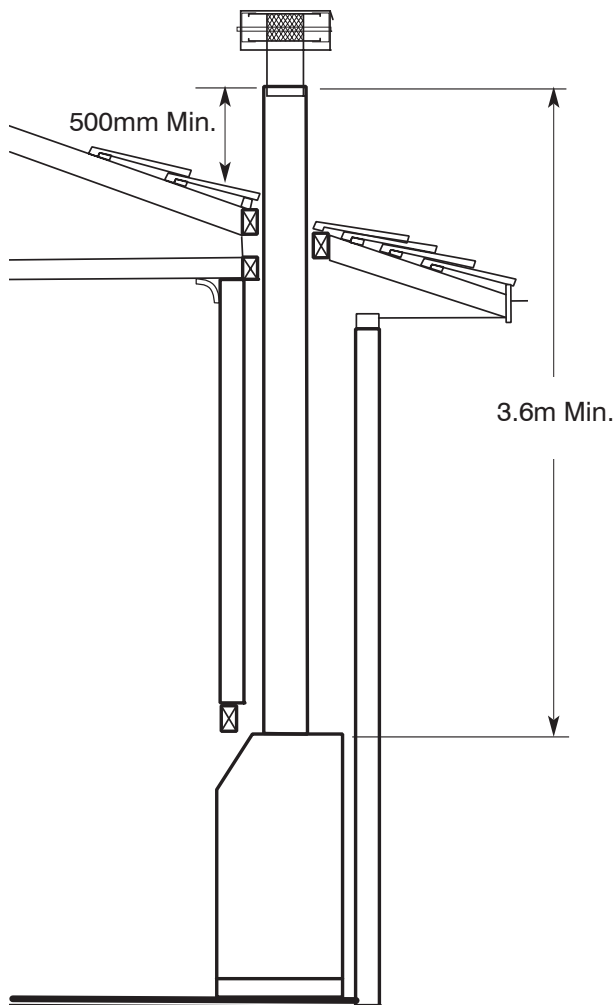
Natural Draught

The standard natural draught flue kit consists of 4 x 900mm lengths of twin skin flue (refer to page 6 for correct sizing) and an AGA approved cowl.



3.6m Flue Kit complete with cowl

These notes must be read in conjunction with AGA code 601.



A minimum of 3.6m flue is required to protrude 500mm above roof line.

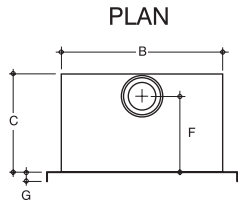
Flue can be offset with two 45° bends no more than 20% of overall height of flue.

CLEARANCES

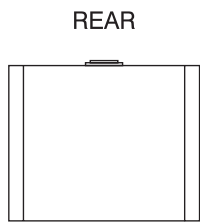
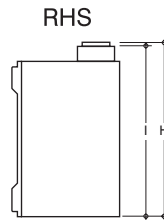
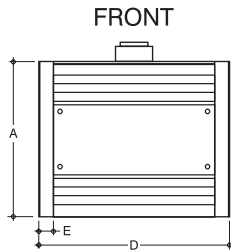
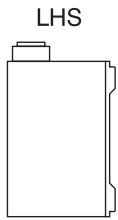
| | |
|-------------------|--------|
| Floor | 0 mm |
| Sides | 25 mm |
| Back | 25 mm |
| Top | 100 mm |
| Flue Outer | 25 mm |

DIMENSIONS

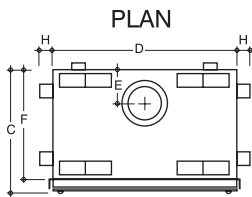
Pyrotech Inbuilt



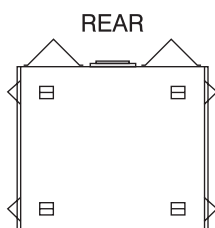
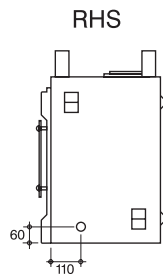
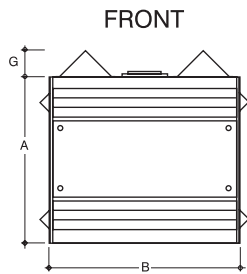
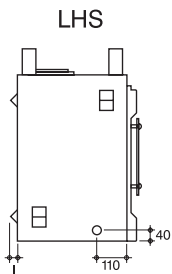
| A | B | C | D | E | F | G | H | I |
|-----|-----|-----|-----|----|-----|----|-----|-----|
| 570 | 605 | 360 | 700 | 54 | 275 | 35 | 615 | 598 |



Pyrotech ZC

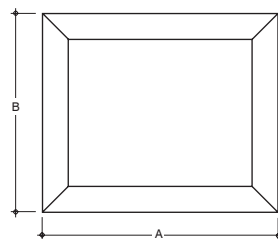


| A | B | C | D | E | F | G | H | I |
|-----|-----|-----|-----|-----|-----|----|----|----|
| 610 | 700 | 464 | 675 | 125 | 402 | 95 | 45 | 25 |

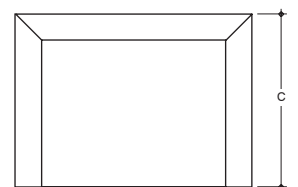


Trim

FRONT - 4 SIDED



FRONT - 3 SIDED

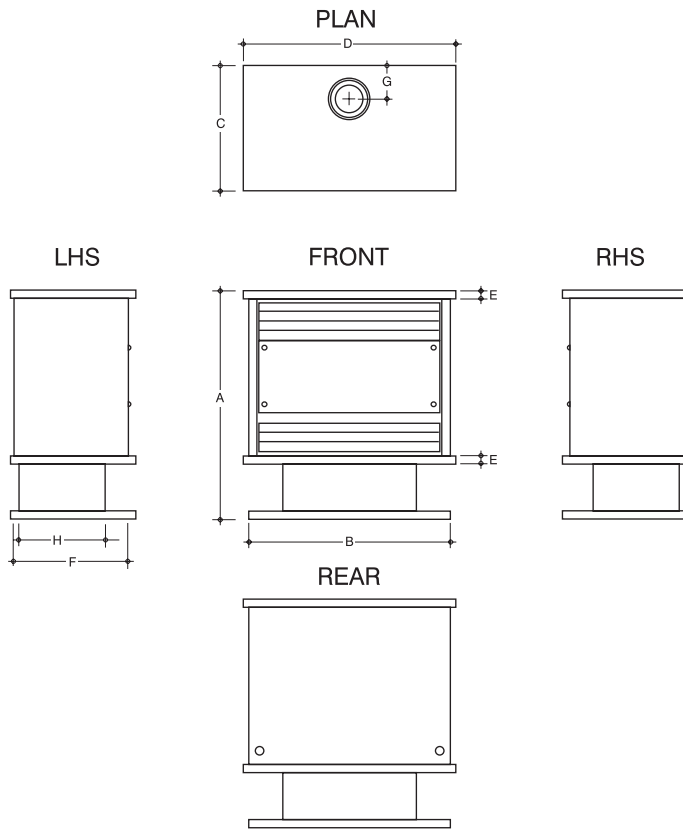


| A | B | C |
|-----|-----|-----|
| 865 | 730 | 635 |

DIMENSIONS

Pyrotech Freestanding

| A | B | C | D | E | F | G | H |
|-----|-----|-----|-----|----|-----|-----|-----|
| 840 | 740 | 460 | 780 | 30 | 420 | 115 | 315 |



LIGHTING PILOT AND MAIN BURNER (STANDARD MODELS ONLY)

The Pyrotech is fitted with a remote operated valve located in the cavity below the burner. The valve is pre wired and completely self contained to generate its own power.

Before lighting the pilot make sure that the gas line is connected.

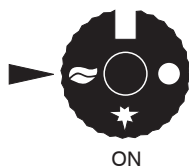
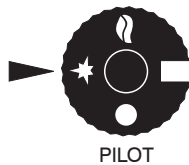
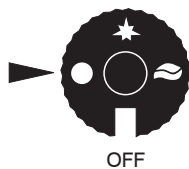
DO NOT CONNECT ANY EXTERNAL POWER TO THE VALVE.

FOR YOUR SAFETY READ BEFORE LIGHTING

- The appliance has a pilot which must be lit using the piezo ignition, when lighting the pilot follow the instructions exactly.
- Before lighting the appliance check for gas leaks.
- Use only your hand to push in and turn the gas control knob, never use tools. If the knob will not push in or turn by hand, don't try to repair it, call a qualified service technician. Force of attempt to repair may result in a fire or explosion.
- If the controls have been underwater, immediately call a qualified service technician to inspect the appliance and replace any part of the control system and fan that has been immersed in water.

LIGHTING INSTRUCTIONS

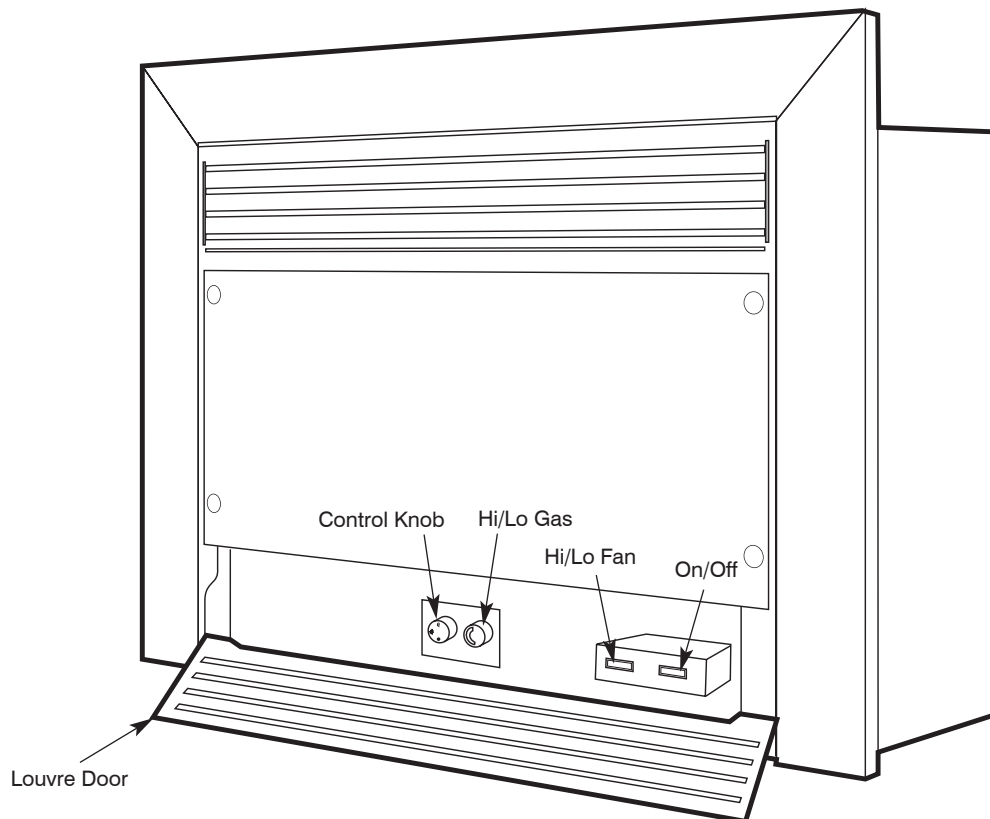
Visit www.realflame.com.au to view a video instruction.



1. STOP! Read the safety information.
 2. Push in gas control knob and turn to "PILOT"
 3. NOTE: Control knob cannot be turned from "OFF" to "PILOT" unless the knob is pushed in slightly. Do not force.
 4. Light pilot burner following steps below.
 5. When the control knob is set at pilot, push it all the way in and hold it in. Immediately light the pilot using the piezo igniter. Red igniter button may need to be pressed rapidly several times. Once the pilot has lit keep holding the control knob in for about 45 seconds. Release the knob and it will "pop" back out, the pilot should remain lit. If pilot goes out repeat steps 1 to 5
 6. Turn gas control knob to the "ON" position
 7. Turn the switch on to ignite the main burner. The switch is located on the bottom right of fire. See page 18. Select high or low fan with the fan switch which is located next to the on/off switch on the right hand side of the bottom. (Note: The fan will turn on and off automatically via temperature sensor in the fire box.) Time taken for the fan to turn on and off will vary according to temperature. This feature eliminates the possibility of the Pyrotech blowing cold air.
 - After lighting the pilot, if the control knob does not "pop" out when released, stop and immediately call your service technician.
 - If the pilot will not stay lit after several tries turn the gas control knob to "OFF" and call your service technician.
- N.B: WHEN THE CONTROL KNOB IS TURNED TO THE "OFF" POSITION IT WILL TAKE APPROXIMATELY 60 SECONDS FOR THE VALVE TO RELEASE AND ALLOW YOU TO MOVE THE KNOB. DO NOT FORCE THE KNOB.
8. To adjust the heat output of your Pyrotech, simply turn the Hi/Lo control knob to the right of the control knob.

TO TURN OFF GAS TO APPLIANCE

- A. Turn switch to "OFF" position.
- B. Push in gas control knob slightly and turn to the off position.



TESTS TO BE CARRIED OUT BY INSTALLER

- Check unit for gas leaks.
- Ensure that both high and low pressures are set as per the appliance data plate. Refer Page 27 for adjustment and Test pressure points
- Turn the unit on to ensure it operates correctly.
- Instruct the customer on the use of the remote control . Refer to remote control operating guide.

SERVICING AND MAINTENANCE

It is recommended that you have your Real Flame fire serviced every two years. This work should only be carried out by authorised licensed personnel.

■ To follow when servicing, removing fan or changing valve or control modules.

IMPORTANT: POWER MUST BE ISOLATED PRIOR TO CARRYING OUT THE SERVICE/MAINTENANCE. SERVICE/MAINTENANCE ONLY TO BE CARRIED OUT BY AN AUTHORISED PERSON. DO NOT MODIFY THIS APPLIANCE

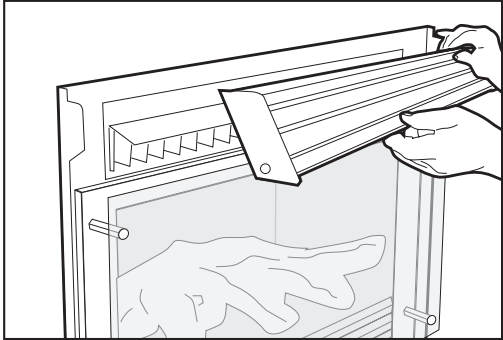


Figure (1) Remove top louvre panel. The top panel is held by a screw each side.

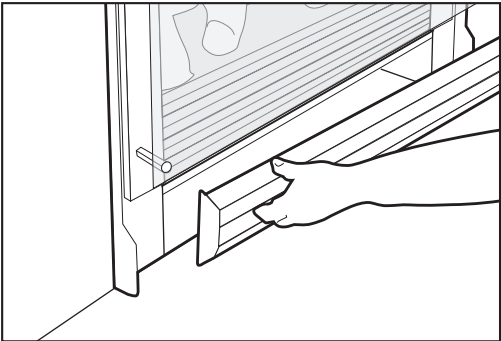


Figure (2) Remove bottom panel by opening door and pulling back location pin.

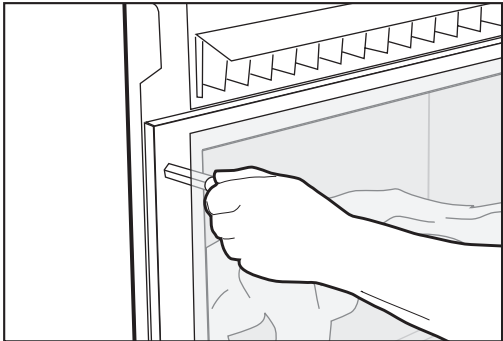


Figure (3) Remove front safety glass by firstly removing four dome nuts.

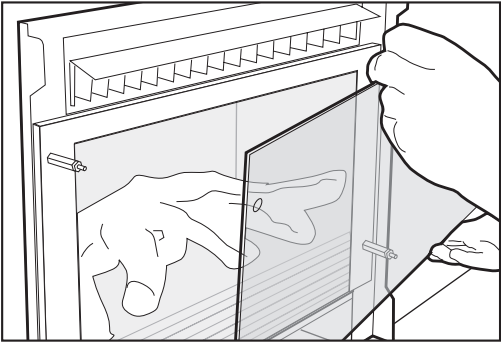


Figure (4) Remove glass from its location, be sure to avoid breakage or damage to the glass when removing.

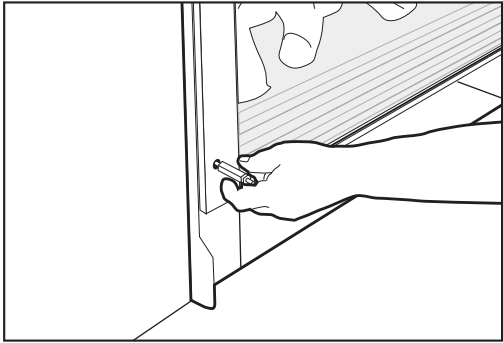


Figure (5) Remove four door studs used to secure the door.

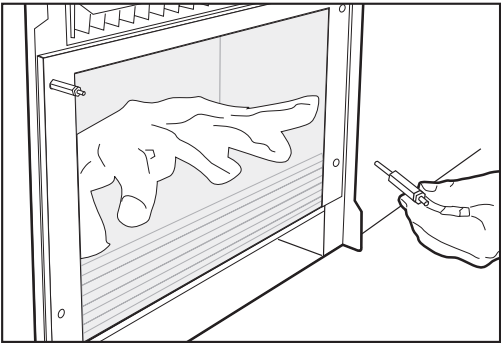


Figure (6)

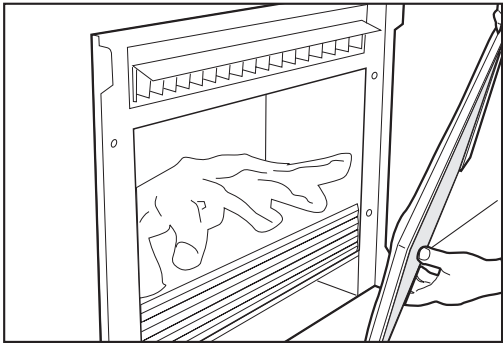


Figure (7) Remove door carefully to prevent damage or breaking of glass.

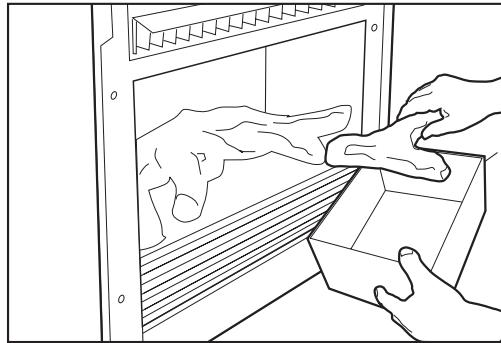


Figure (8) Remove coals/logs or pebbles and securely store to prevent damage.



Figure (9)

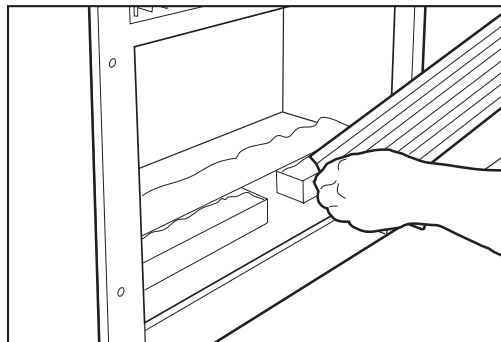


Figure (10) Remove front iron from burner.

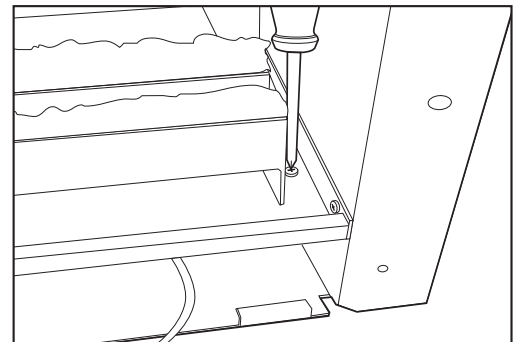


Figure (11) Remove burner holding screws on each side of burner.

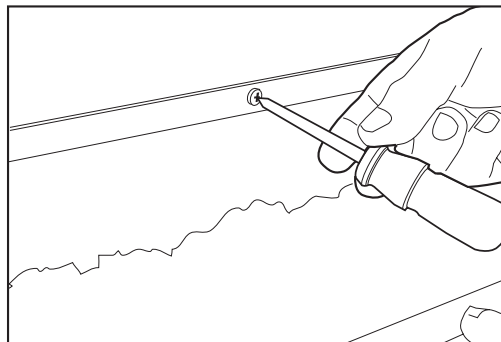


Figure (12) Remove log positioning panel screw at rear of firebox.

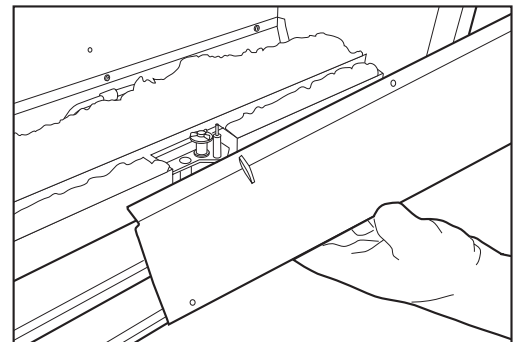


Figure (13) Remove log positioning panel.

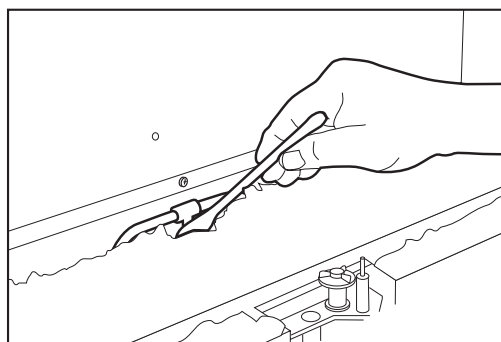


Figure (14) Undo burner tube nut using 15mm spanner.

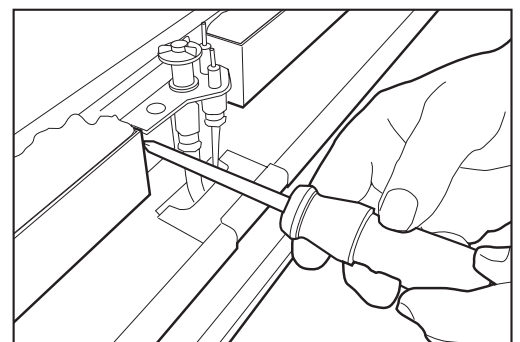


Figure (15) Remove the two pilot screws to disconnect pilot.

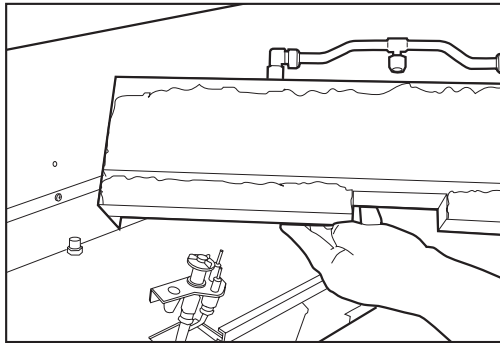


Figure (16) Remove burner from firebox

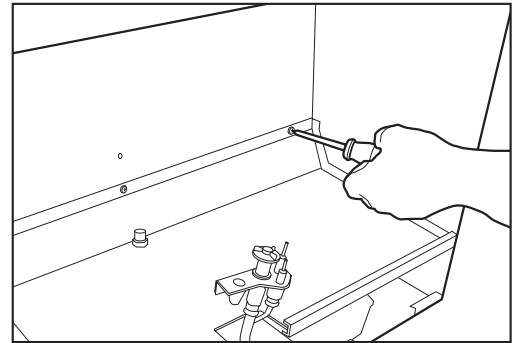


Figure (17) Remove the nine screws securing the base to the firebox from the back of the base...

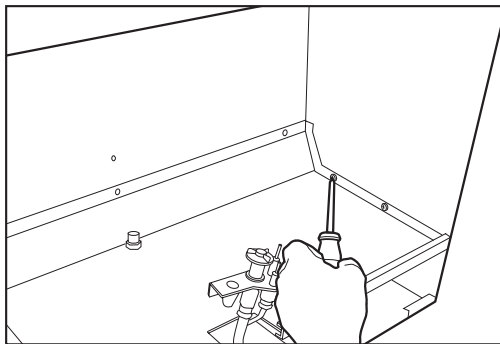


Figure (18) ...and the sides of the base.

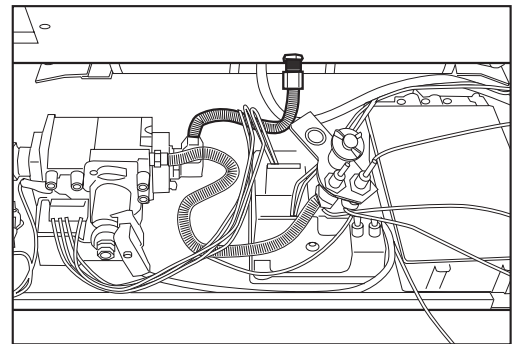


Figure (19) Lift the base plate to expose the flexi burner tube.

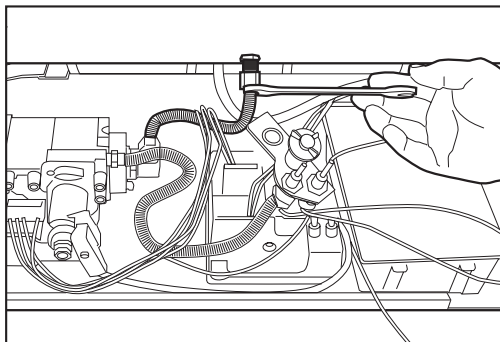


Figure (20) Undo the flexi tube from the bulk head.

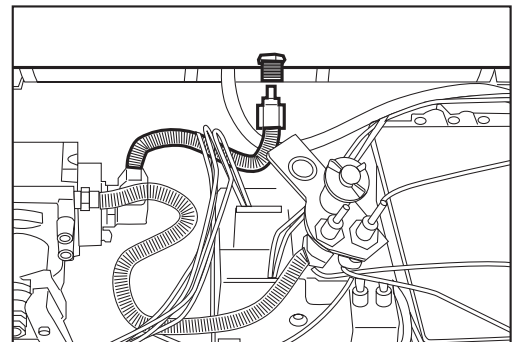


Figure (21) When the flexi tube has been unscrewed...

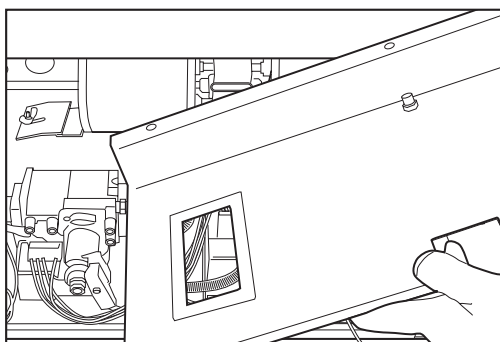


Figure (22) ...remove the base plate from the firebox.

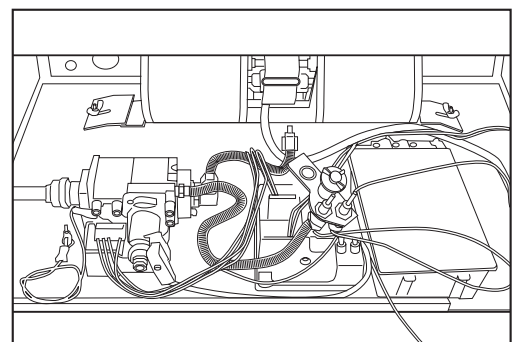


Figure (23) Once the base plate has been removed, all controls are exposed for servicing.

Removal of Fan

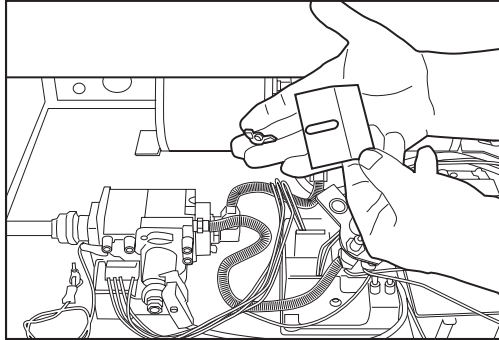


Figure (1) Remove the wing nuts from each side of fan and remove holding plates.

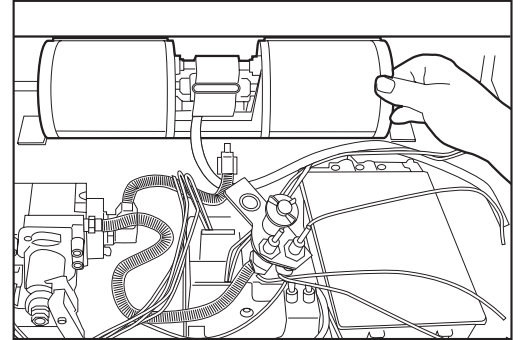


Figure (2) Tilt fan back and slide out.

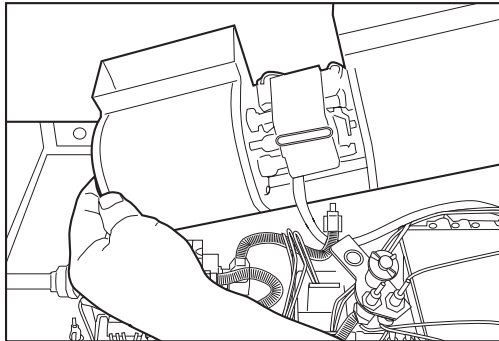


Figure (3) Lift fan out...

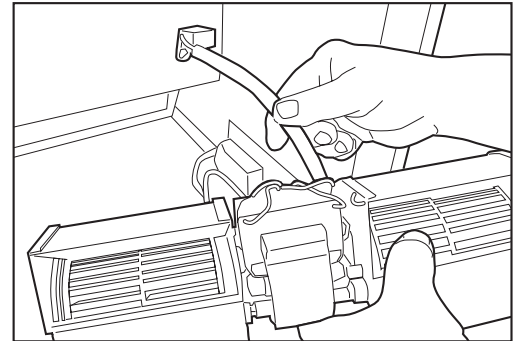


Figure (4) ...and disconnect power plug to remove fan.

Removal of Control Module

Deluxe model only

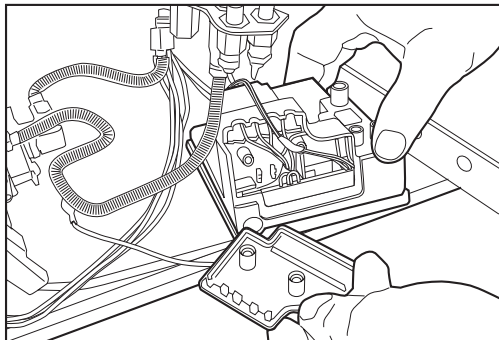


Figure (1) Remove cover plate from module

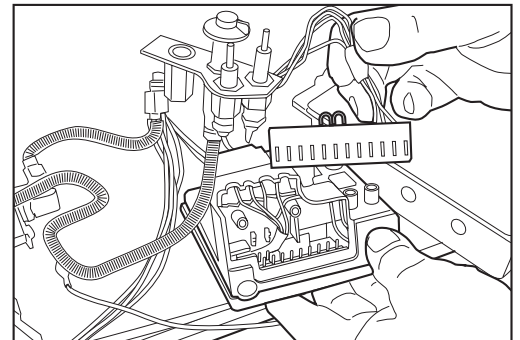


Figure (2) Remove wiring from module

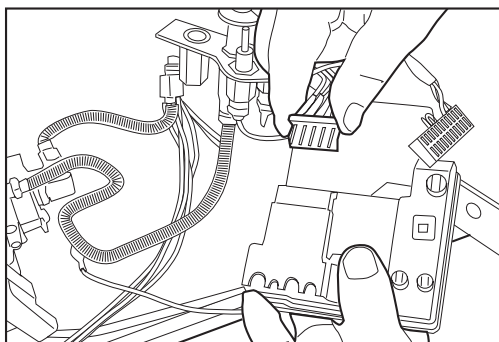


Figure (3) Remove wiring from rear of module.

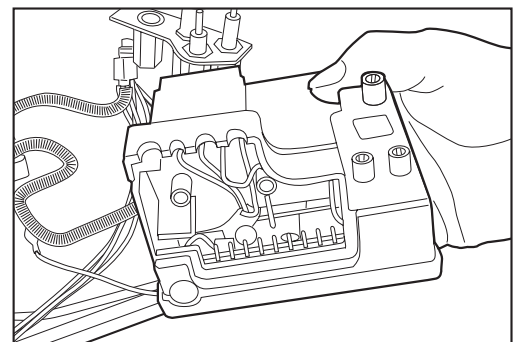


Figure (4) Module can now be removed. Note: The control module is held down by double-sided tape and should be gently forced upwards to release.

**Removal of
 Control Valve**

Deluxe model only

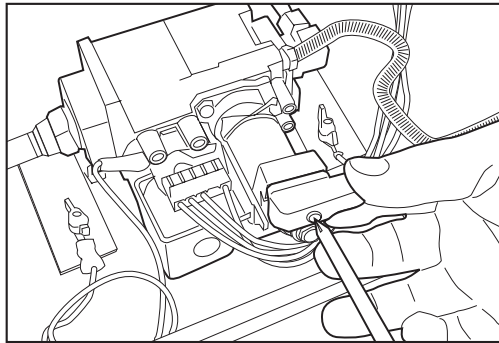


Figure (1) Remove valve modulating lead from control valve.

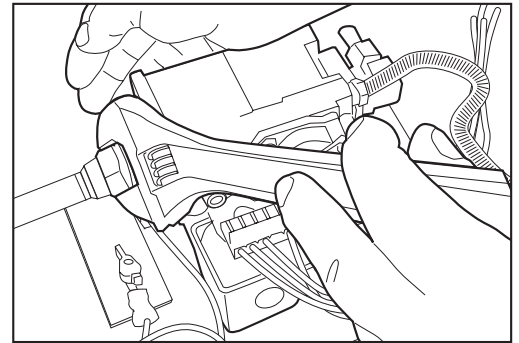


Figure (2) Disconnect gas from control valve.

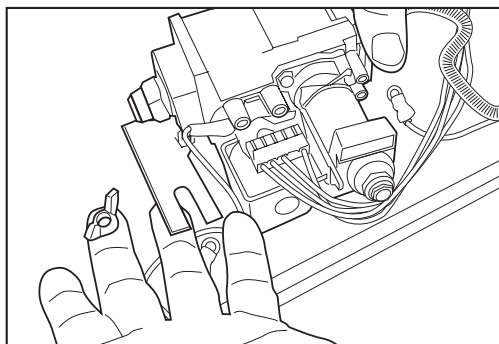


Figure (3) Remove wing nuts from each of the control valve holding brackets and remove valve.

**Removal of
 Millennium
 Control Module**

Deluxe model only

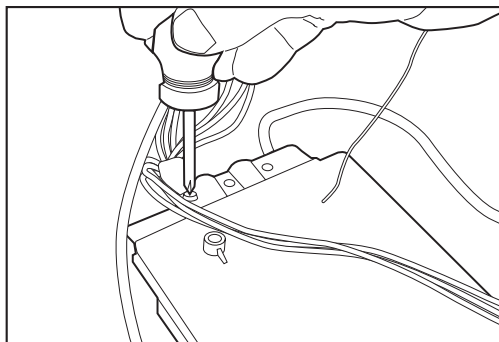


Figure (1) Remove 3 screws from top of module.

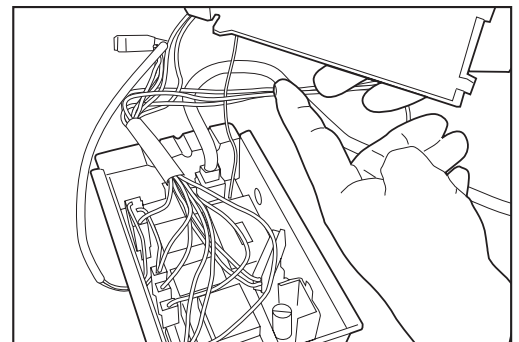


Figure (2) Remove cover from module.
 NOTE: This module is held in position with double-sided tape and should be gently forced upwards to release.

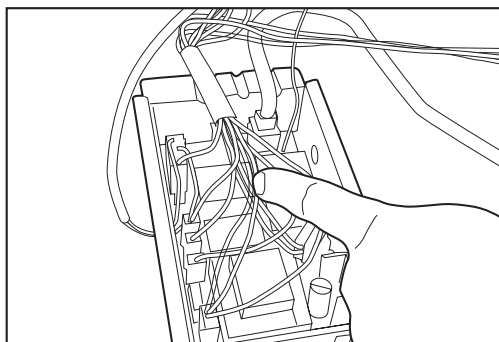
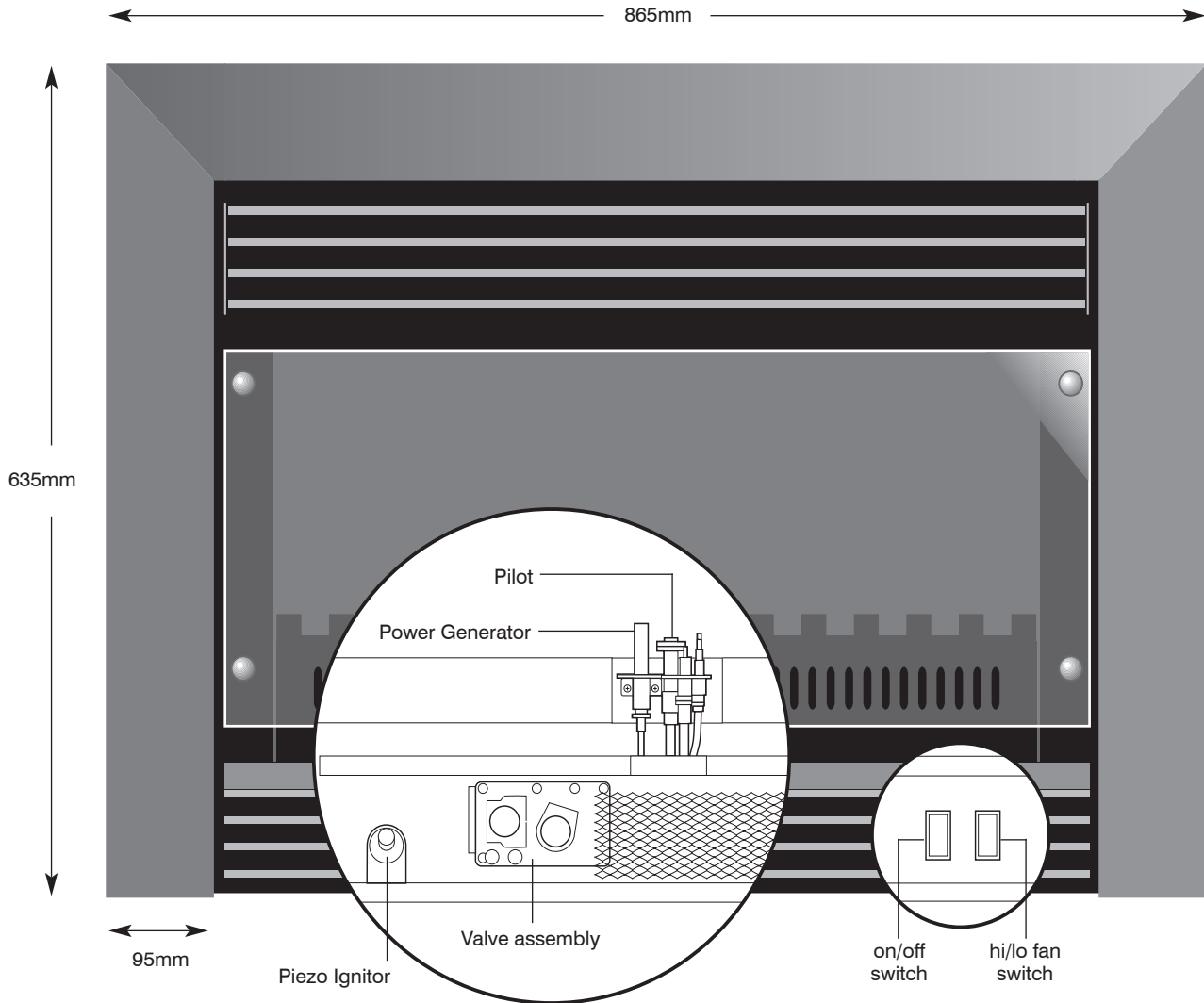


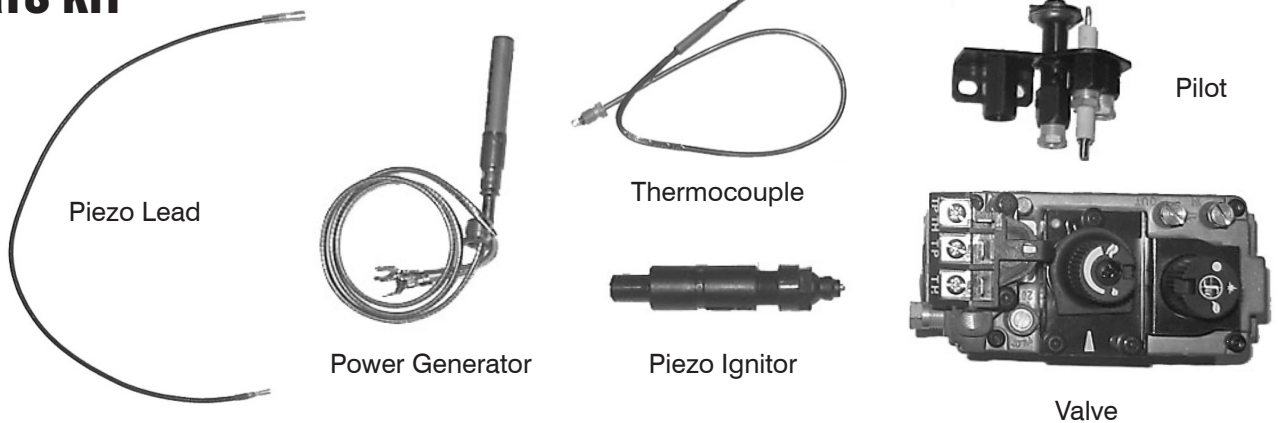
Figure (3) Remove wiring from the modular box (When replacing wiring refer to owner's manual for correct wiring.)

- After carrying out service or replacing parts, reverse the above processes to reinstate the components.
- Prior to lighting ensure there are no gas leaks.

PARTS LOCATION (STANDARD MODELS ONLY)



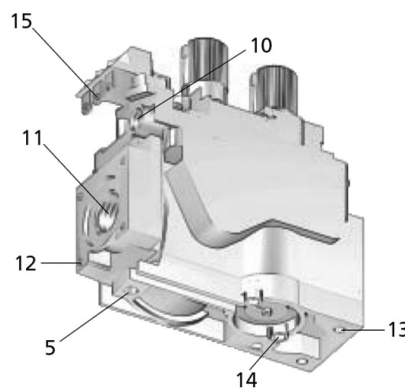
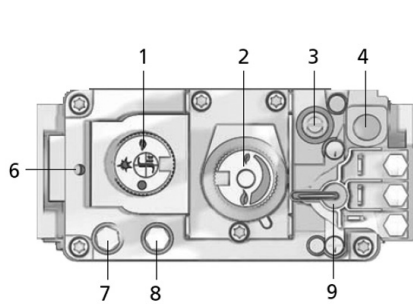
PARTS KIT



GAS CONTROL ASSEMBLY

| PART | PART No. | AGA Approval |
|---------------------------|-----------------|--------------|
| SIT 820 NOVA Mv | 0820332-NAT GAS | 4032 |
| SIT 820 NOVA Mv | 0820331-LPG | 4032 |
| SIT THERMOCOUPLE | 200261 | 4032 |
| SIT PILOT ASSEMBLY | 190610 | 4032 |
| SIT THERMAL GENERATOR | 240002 | 4032 |
| PIEZO WITH LEAD | 28510 | 4032 |
| PIEZO IGNITOR PUSH BUTTON | 73953 | 4032 |
| PIEZO BRACKET | 978099 | 4032 |

VALVE DESCRIPTION AND TECHNICAL DATA



1. Control Knob
2. Main gas flow manual adjustment device
3. Adjustment screw for gas flow to the pilot
4. Thermocouple connector
5. Alternative thermocouple connector
6. Provision for accessories support bracket
7. Inlet pressure test point
8. Outlet pressure test point
9. Actuating solenoid valve
10. Pilot outlet
11. Main gas outlet
12. Holes (M5) for fixing flanges
13. Supplementary valve body fixing points
14. Connection for pressure regulator/combustion chamber compensation
15. Thermocouple and thermostat connection

TECHNICAL DATA

| | |
|--------------------------------|------------------------------------|
| Gas connections: | Rp 1/2 ISO 7 (1/0 3/8" on request) |
| Installation position: | any position |
| Gas families: | I, II and III |
| Maximum gas inlet pressure: | 60 mbar |
| Outlet pressure setting range: | 3 – 30 mbar (20 – 50 on request)* |
| Working temperature range: | 0 – 70° C |
| Pressure regulator: | Class B |
| Automatic Solenoid Valve: | Class D (Class C on request) |

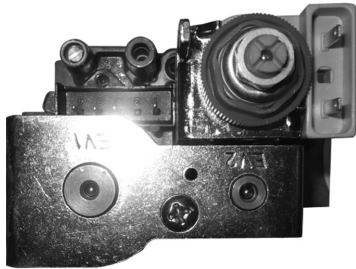
* Versions without manual gas flow adjustment device

THERMOPILE POWER SUPPLY

Use two-wire thermopile

| | |
|------------------------------|----------|
| Voltage with open circuit: | ≥ 350 mV |
| Voltage with closed circuit: | ≥ 100 mV |
| Resistance of the coil: | 1.6 ohm |

PARTS LIST (DELUXE MODELS ONLY)



Gas Control Valve



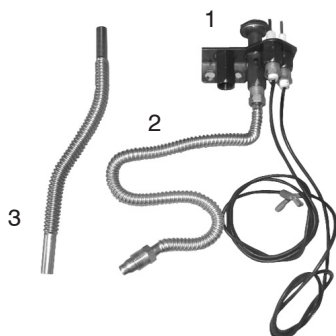
Module Box



Remote Control Module

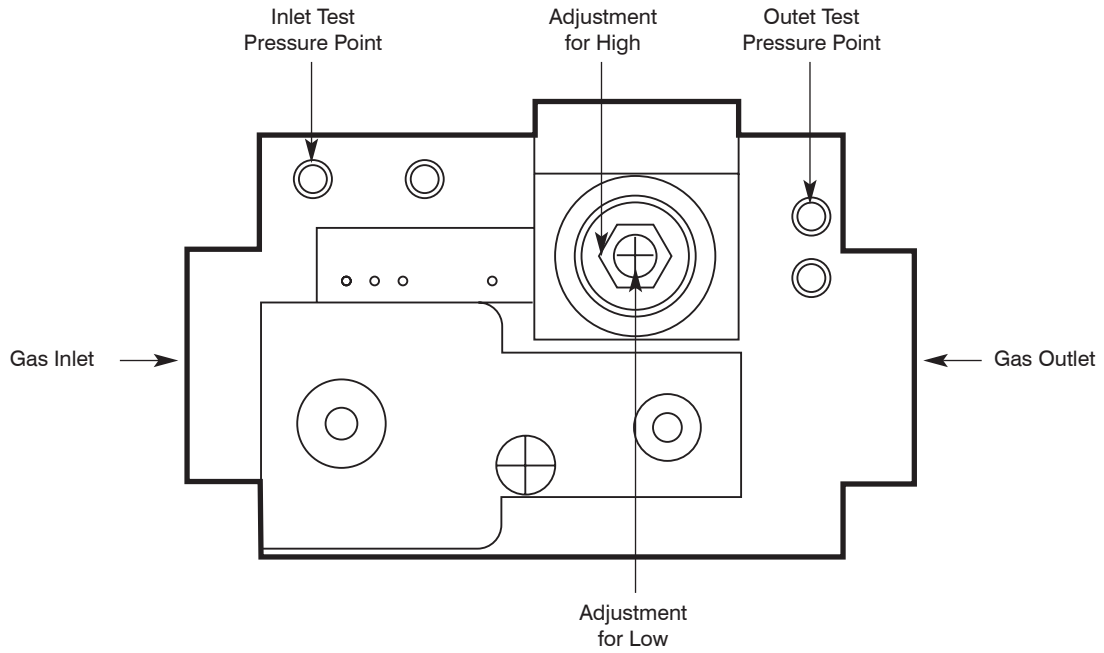


Remote Control



1. Pilot
2. Pilot Tube
3. Burner Tube

GAS CONTROL ASSEMBLY



TROUBLESHOOTING FOR PYROTECH STANDARD

IMPORTANT

- Valve system troubleshooting should only be carried out by a qualified service technician.
- If supply cord is damaged or the unit needs repairing, it shall be repaired by the manufacturer or its service agent or similarly qualified person in order to avoid a hazard.

| Symptom | Possible Cause | Corrective Action |
|---|---|---|
| Spark ignitor will not light pilot after repeated triggering of igniter button | A. Defective ignitor | Check for spark at electrode and pilot. If no spark and electrode wire is properly connected, replace ignitor |
| | B. Defective or misaligned electrode at pilot (spark at electrode). | Using a match, light the pilot. If pilot lights, turn off pilot and trigger the igniter button again. If pilot lights, an improper gas mixture caused the bad lighting and a longer purge period is recommended. If pilot will not light - check gap at electrode and pilot - should be 1/8" to have a strong spark. If gap measures 1/8", replace pilot. |
| | C. Gas supply pressure errant. | Check inlet gas pressure. It should be : Refer Data information on page 5. |
| | D. Pilot orifice plugged. | Clean or replace pilot orifice. |
| Pilot will not stay lit after carefully following the lighting instruction | A. Defective pilot generator (thermocouple) | Check pilot flame, it must impinge on thermocouple. Clean and/or adjust pilot for maximum flame impingement on the thermocouple. Ensure that the connection between the valve and the thermocouple is tight and secure. |
| Pilot burning, no gas to burner, valve knob "ON", Wall switch "ON" | A. Wall switch or wires defective. | Check wall switch and wires for proper connections. Jumper wires across terminals at wall switch, if burner comes on, replace defective wall switch. If okay, jumper across wall switch wires at valve, if burner comes on wires are faulty or connections are bad. |
| | B. Thermopile may not be generating sufficient millivoltage. | Check thermopile with millivolt meter. Take reading at thermopile terminals of gas valve. Should read 325 millivolts minimum with optional wall switch "OFF". Replace faulty thermopile if reading is below specified minimum. |
| | C. Blocked burner orifice. | Check burner orifice for blockage and remove. |
| Frequent pilot/burner outage | A. Pilot flame may be too low or blowing (High) causing the pilot/valve safety to drop out. | Clean and/or adjust pilot flame for maximum flame impingement on thermocouple. |

TROUBLESHOOTING FOR PYROTECH STANDARD

| Problem | Possible Cause | Suggested Remedy |
|---|--|--|
| When the remote is activated nothing happens | The remote is not talking to the receiver. | Reprogramme the remote to the receiver (Refer Millennium manual in installation manual). |
| | The remote batteries are flat. | Replace the batteries. |
| The fire cuts off and won't relight | The over temp snap disc has been activated. | Allow the fire to cool down and then try to relight the fire. If the fire fails to relight, contact the manufacturer. |
| The fan will not come on | Possible caused by overheat or electrical fault. | Contact the manufacturer. |
| Flame appears to be low | Pressure not set. | All pressures are set in the factory at the time of manufacture, however the installing plumber must make sure the pressures are correct. Refer to page 5. |

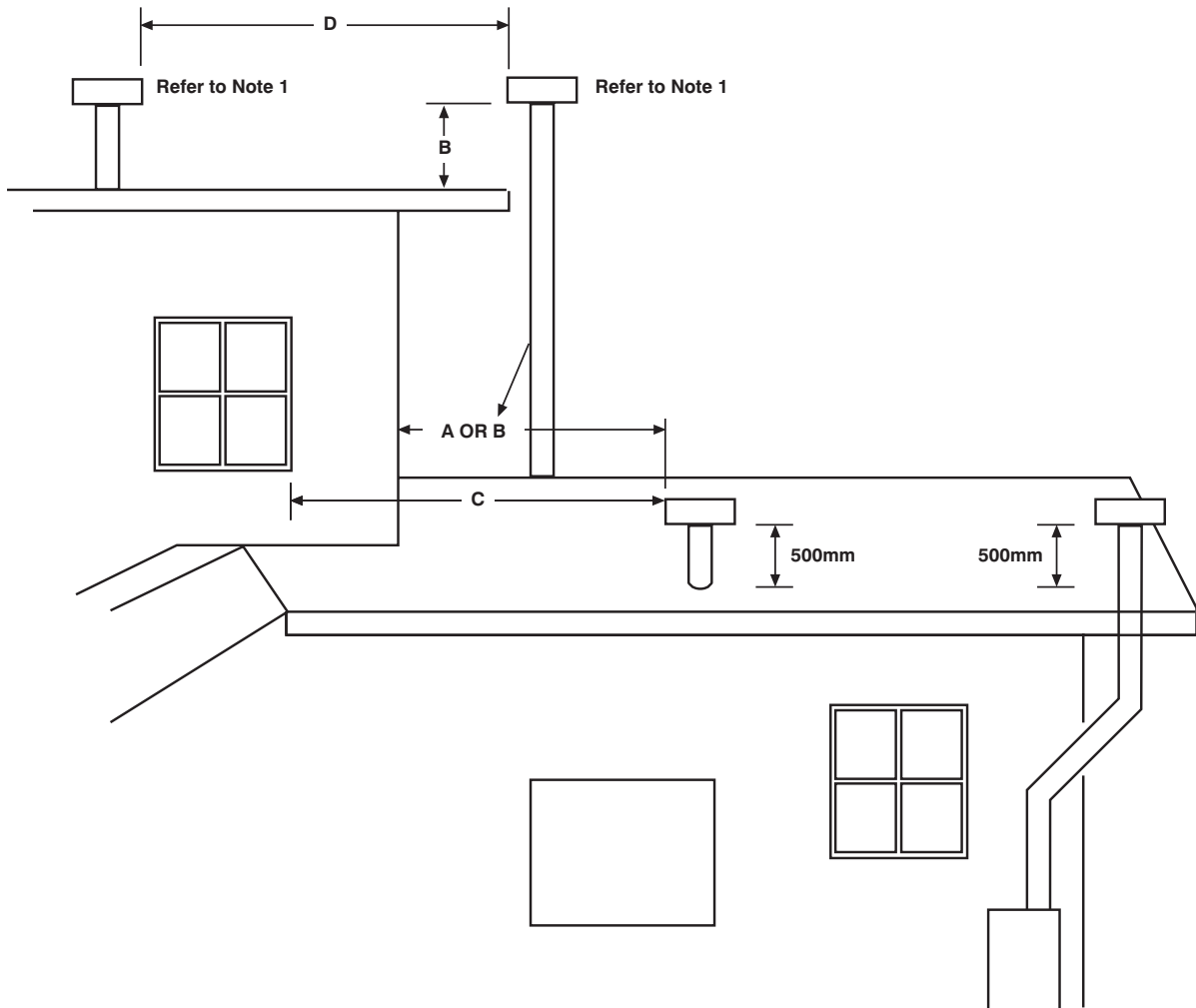
IF YOUR PYROTECH STANDARD FIREPLACE STILL DOES NOT OPERATE CORRECTLY CONSULT YOUR DEALER.

ALL SERVICE AND REPAIRS SHOULD BE PERFORMED BY AN AUTHORISED AGENCY.

ALL SPARE PARTS AND OPTIONAL TRIM FINISHES ARE AVAILABLE FROM REAL FLAME PTY LTD.

PYROTECH FLUE TERMINATION (COWLS) REGULATIONS

Natural Draft

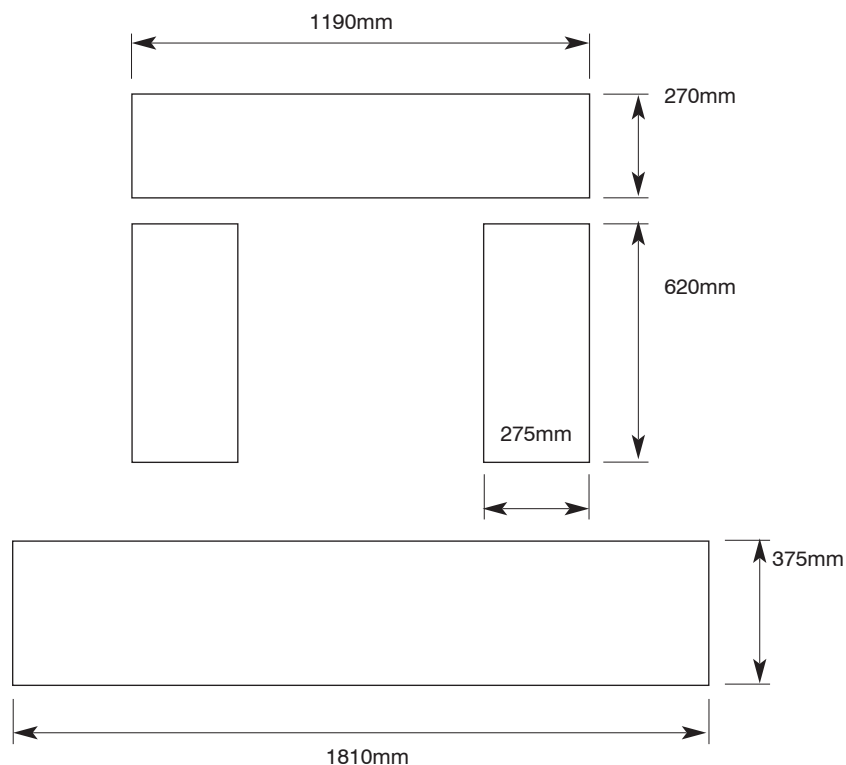


| AREA | CLEARANCE REQUIRED |
|--|---------------------------|
| A: Horizontally from a neighboring structure..... | 1000mm |
| B: If less than a meter horizontally from a neighboring structure then terminates above that structure by..... | 500mm |
| C: From any opening into a building..... | 1500mm |
| D: From another flue terminal..... | 200mm |

Notes:

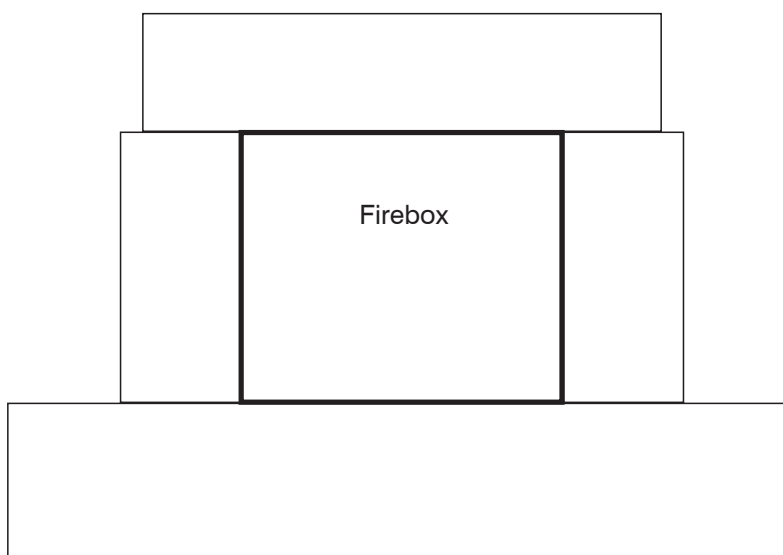
1. A trafficable roof designed for personal or public use, the end of the flue shall be at least 2 meters above the roof level. This dimension is to be increased where necessary so that the minimum distance of 500mm is maintained above any surrounding parapet or at least 200mm from the nearest part of a chimney.
2. The current version of the AS5601-2004 gas codes and any other relevant codes should be read in conjunction with the above guidelines to ensure a correct and safe installation.

OPTIONAL MARBLE HEARTH AND/OR MARGIN SET (Inbuilt & ZC models only)

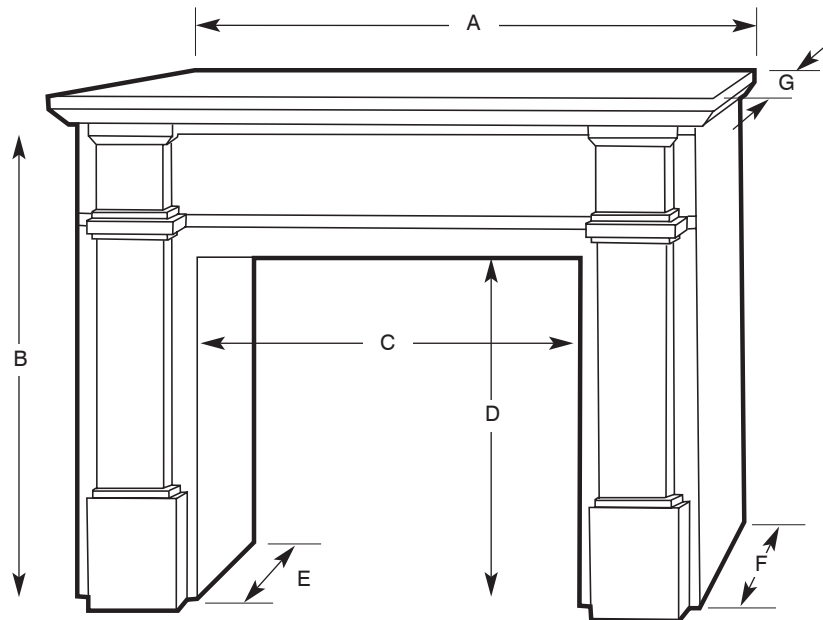


Marble Margin Set Installation Procedure

1. Install Pyrotech without trim.
2. Install marble up to flange on Pyrotech. Use liquid nails to fix to wall. Marble should look like the diagram below once it has been installed and before mantelpiece has been attached.
3. Once unit is all set up, attach trim. Trim should overlap the marble so that the switches are accessible.



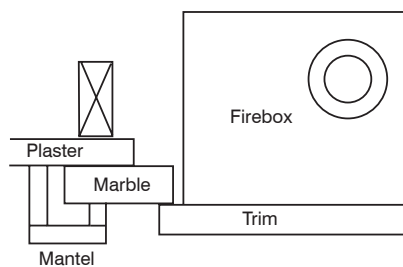
OPTIONAL MANTELPiece INSTALLATION (Inbuilt & ZC models only)



MANTELPiece DIMENSIONS

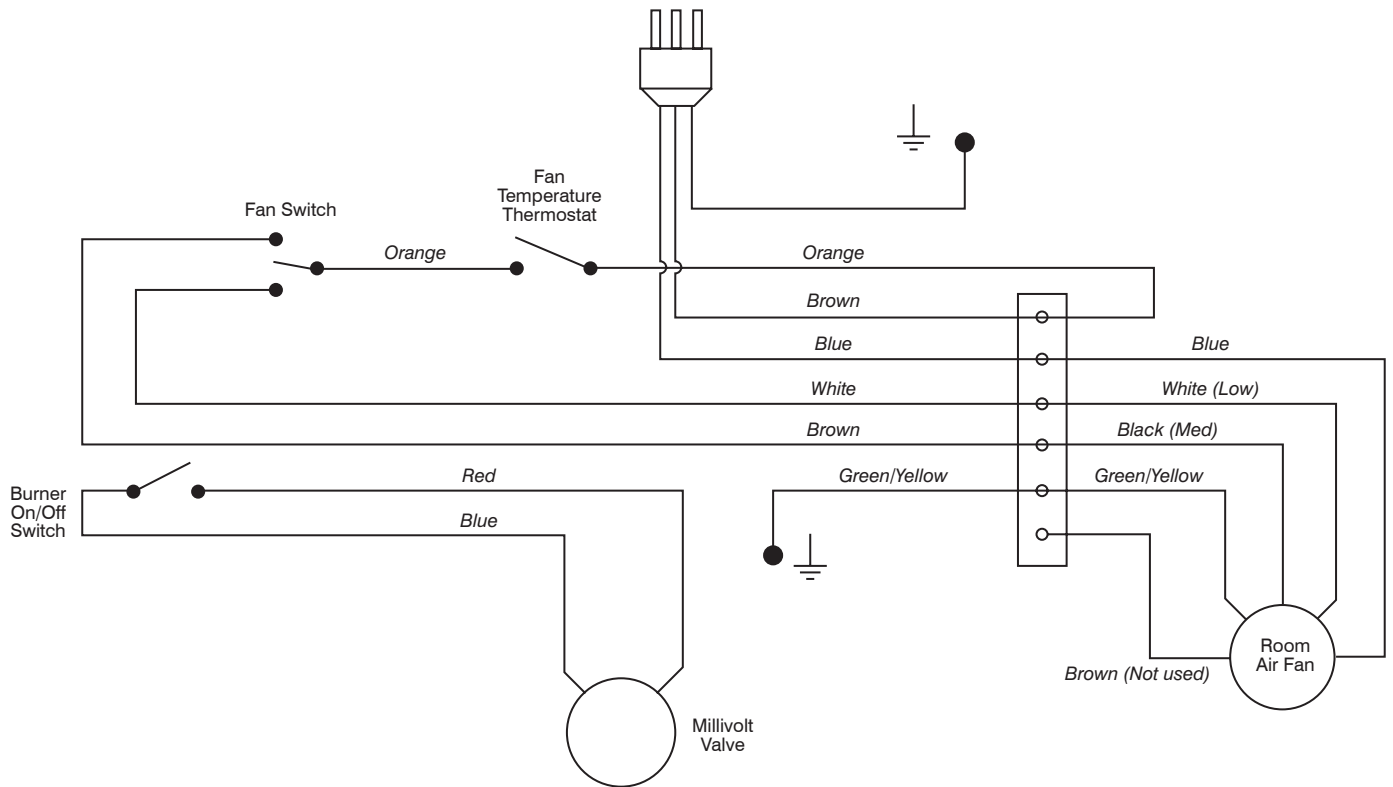
| MODEL | A | B | C | D | E | F | G |
|--------------------------|------|------|------|-----|----|-----|-----|
| Universal* | 1810 | 1220 | 1090 | 860 | 80 | 100 | 280 |
| Victorian Arch | 1440 | 1210 | 885 | 920 | 20 | 20 | 190 |
| Federation Square | 1440 | 1215 | 920 | 920 | 20 | 20 | 235 |

* Universal Windsor, Bouvier, Kensington, Feidrich

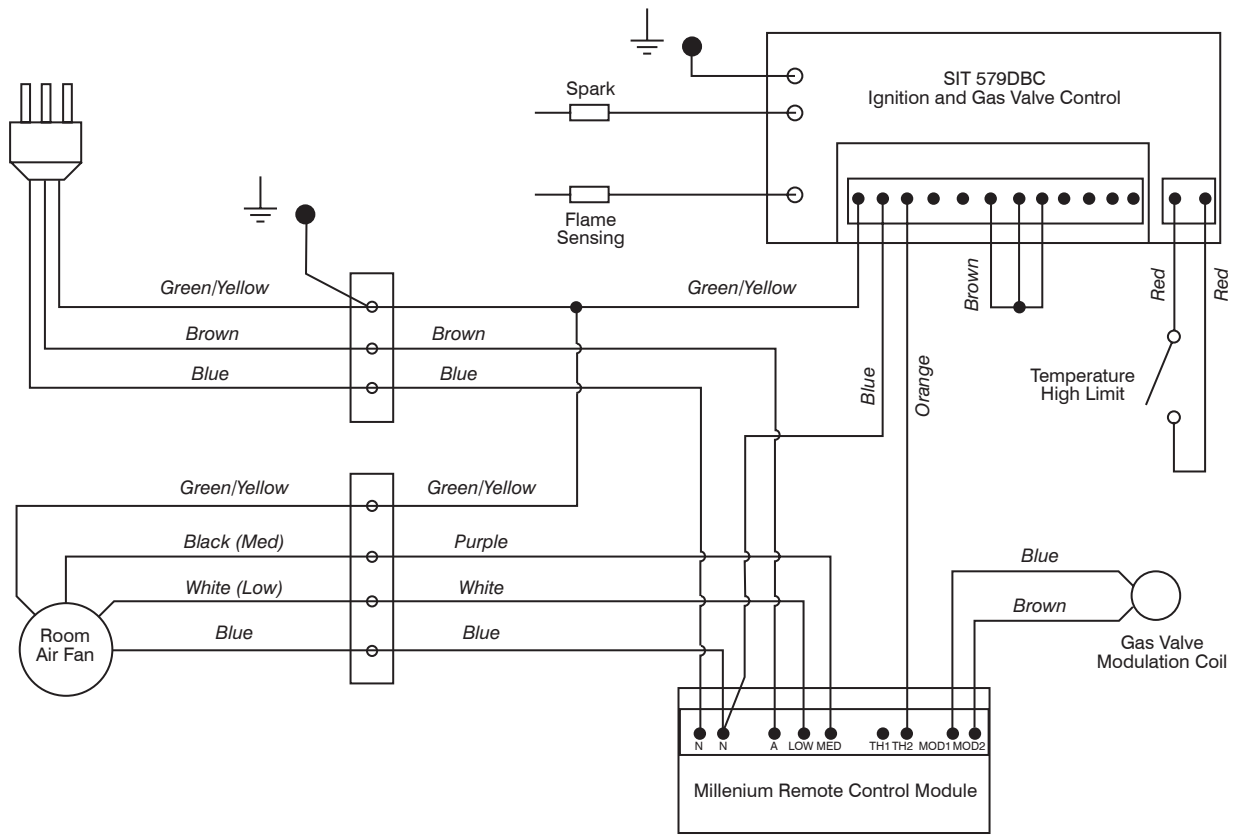


NOTE: If using a cast fascia inside a mantel a special trim needs to be ordered.
 See your Real Flame stockist for details.

ELECTRICAL DIAGRAM (STANDARD MODELS ONLY)



ELECTRICAL DIAGRAM (DELUXE MODELS ONLY)





CHEMINEE PTY LTD

EMAIL sales@cheminee.com.au

WEBSITE www.Cheminee.com.au

PHONE 02 9564 2694

FAX 02 9569 8802

SHOWROOM

118 Stanmore Road, Stanmore
(Corner Wemyss St) NSW