



RANGEHOODS & SPLASHBACKS

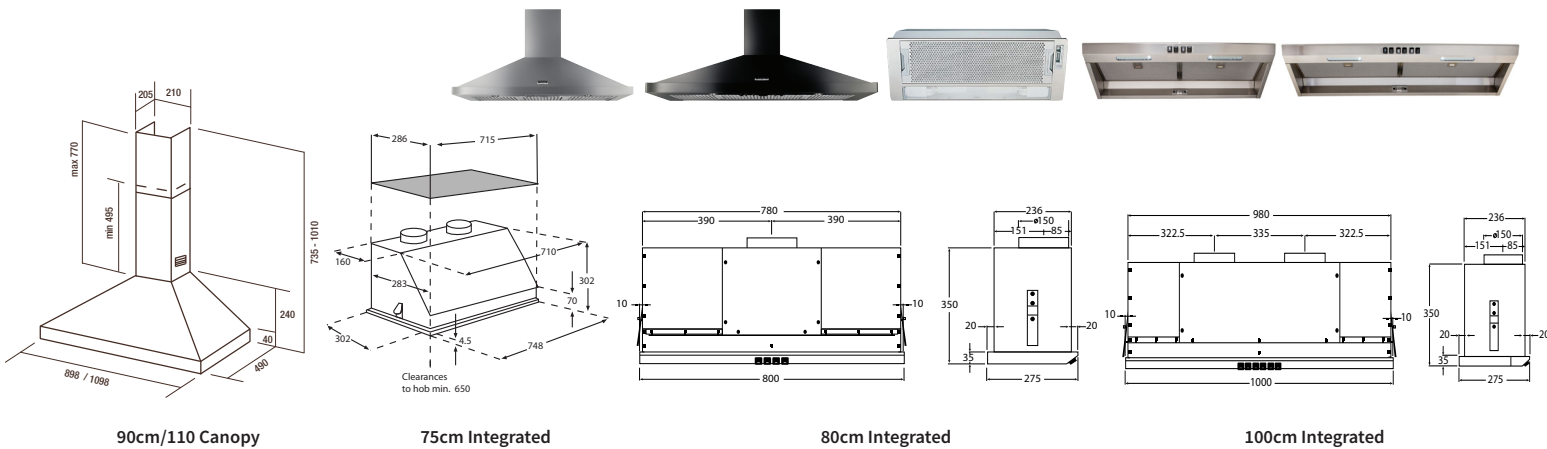


Perfect companions to a Falcon cooker



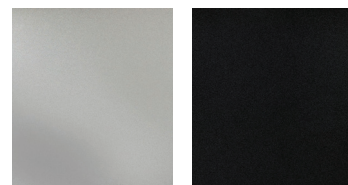
Specifications - Rangehoods

	90cm Canopy	110cm Canopy	75cm Integrated	80cm Integrated	100cm Integrated
MODEL NUMBER	FALHDCP90	FALHDCP110	FALUC75	FALUC801	FALUC1002
TYPE	CANOPY	CANOPY	UNDERMOUNT	UNDERMOUNT	UNDERMOUNT
MIN. HEIGHT ABOVE COOKER* (MM)	650	650	650	650	650
WIDTH (MM)	898	1098	748	780	980
HEIGHT INCL. FASCIA EXCL. FLUE (MM)	240	240	N/A	N/A	N/A
FLUE HEIGHT - MIN / MAX (MM)	495 / 770	495 / 770	N/A	N/A	N/A
NUMBER OF SPEEDS	3	3	VARIABLE	2	2
EXTRACTION (DUCTED) 1/2/3 (M ³ /HR)	360 / 590 / 920	360 / 590 / 920	N/A	400 / 800	800 / 1600
EXTRACTION (RECIRCULATED) 1/2/3 (M ³ /HR)	350 / 570 / 850	350 / 570 / 850	N/A	N/A	N/A
EXTRACTION (DUCTED) VARIABLE (M ³ /HR)	N/A	N/A	MIN 464 MAX 752	N/A	N/A
EXTRACTION (RECIRCULATED) VARIABLE (M ³ /HR)	N/A	N/A	MIN 290 MAX 476	N/A	N/A
CONTROL TYPE	SLIDER	SLIDER	SLIDER	FRONT SWITCHES	FRONT SWITCHES
NUMBER OF METAL FILTERS	3	4	1	2	2
CHARCOAL FILTERS (FOR RECIRCULATED MODE)	2	2	OPTIONAL EXTRA	N/A	N/A
DUCTED AND RECIRCULATION OPTION	•	•	•	DUCTED ONLY	DUCTED ONLY
AIR OUTLET DUCTS (MM)	120 / 125 / 150	120 / 125 / 150	120 / 120	150	150 / 150
LIGHTING (WATT)	2 x 20W HALOGEN	2 x 20W HALOGEN	2 x 9W FLUORESCENT	2 X LED	2 X LED
BLACK	•	•	-	-	-
STAINLESS STEEL	•	•	-	•	•
WHITE WITH STAINLESS STEEL TRIM	-	-	-	-	-
OPTIONAL TRANSITION PIECE AVAILABLE	-	-	•	-	•



Specifications - Splashbacks

MODEL NUMBER	FALSP90SS	UNBSP90BL	FALSP110SS	UNBSP110BL
WIDTH (MM)	899	899	1098	1098
HEIGHT (MM)	670	670	670	670
DEPTH (MM)	8	8	8	8
BLACK	•	•	•	•
STAINLESS STEEL	-	-	-	-



* Minimum clearance of the rangehood shall be no less than 650mm above the top of the highest gas burner or electric hotplate. Falcon continuously seeks improvements in specification, design and production of products and thus, alterations and design changes take place periodically. Images are for illustrative purposes only. Whilst every effort is made to maintain up-to-date material, this information should not be regarded as an infallible guide to current specification, nor does it constitute an offer for the sale of any particular appliance.